

VERMEIREN

Bobby

INSTRUCTION MANUAL
MODE D'EMPLOI
GEBRUIKSAANWIJZING
GEBRAUCHSANWEISUNG
ISTRUZIONI PER L'USO
MANUAL DE INSTRUCCIONES
INSTRUKCJA OBSŁUGI





Instructions to the specialist dealer

This instruction manual is part and parcel of the product and must accompany every product sold.

Version: A, 2015-02

All rights reserved, including translation.

No part of this manual may be reproduced in any form what so ever (print, photocopy, microfilm or any other process) without written permission of the publisher, or processed, duplicated or distributed by using electronic systems.

© N.V. Vermeiren N.V. 2015



Instructions pour les distributeurs

Ce manuel d'instructions fait partie du produit et doit accompagner chaque produit vendu.

Version : A, 2015-02

Tous droits réservés, y compris la traduction.

Aucune partie de ce manuel ne peut être reproduite, sous quelque forme que ce soit (imprimée, photocopie, microfilm ou tout autre procédé) sans l'autorisation écrite du publicateur, ni traitée, dupliquée ou distribuée à l'aide de systèmes électroniques.

© N.V. Vermeiren N.V. 2015



Instructies voor de vakhandelaar

Deze handleiding is deel van het product en dient bij iedere product te worden geleverd.

Versie: A, 2015-02

Alle rechten, inclusief vertaling, voorbehouden.

Niets uit deze handleiding mag geheel of gedeeltelijk in enige vorm (druk, fotokopie, microfilm of ieder ander procedé) zonder de schriftelijke toelating van de uitgever worden gereproduceerd of met behulp van elektronische systemen worden verwerkt, gekopieerd of verspreid.

© N.V. Vermeiren N.V. 2015



Hinweise für den Fachhändler

Diese Gebrauchsanweisung ist Bestandteil des Produkts und ist bei jeder Produkts auszuhändigen.

Version: A, 2015-02

Alle Rechte, auch an der Übersetzung, vorbehalten.

Kein Teil der Gebrauchsanweisung darf in irgendeiner Form (Druck, Fotokopie, Mikrofilm oder einem anderen Verfahren) ohne schriftliche Genehmigung des Herausgebers reproduziert oder unter Verwendung elektronischer Systeme verarbeitet, vervielfältigt oder verbreitet werden.

© N.V. Vermeiren N.V. 2015



Istruzioni per il rivenditore

Il presente Manuale di istruzioni è parte integrante del prodotto e deve essere fornito assieme alla prodotto.

Versione: A, 2015-02

Tutti i diritti riservati (anche sulla traduzione).

Il presente manuale non può essere riprodotto, neppure parzialmente, con alcun mezzo (stampa, fotocopia, microfilm o altro procedimento) senza l'autorizzazione scritta della casa produttrice, né elaborato, duplicato o distribuito con l'ausilio di sistemi elettronici.

© N.V. Vermeiren N.V. 2015



Instrucciones destinadas a los distribuidores especializados

El presente manual de instrucciones es parte integrante del producto y se debe adjuntar a todas las producto que se vendan.

Versión: A, 2015-02

Todos los derechos reservados, incluidos los de la traducción.

Se prohíbe la reproducción total o parcial del presente manual de cualquier forma (impresión, fotocopia, microfilm o cualquier otro procedimiento), así como la edición, copia o distribución empleando sistemas electrónicos, sin el permiso escrito del editor.

© N.V. Vermeiren N.V. 2015



Instrukcje dla wyspecjalizowanego sprzedawcy

Niniejsza instrukcja obsługi jest nieodłączną częścią produktu i musi być dołączona do każdego sprzedawanego produktu.

Wersja: A, 2015-02

Wszelkie prawa zastrzeżone, łącznie z tłumaczeniem.

Żadna część niniejszej instrukcji nie może być powielana w jakiegokolwiek formie (drukowanej, fotokopii, mikrofilmu ani innej) bez pisemnej zgody wydawcy, nie może być również przetwarzana, kopiowana ani rozprowadzana za pomocą systemów elektronicznych.

© N.V. Vermeiren N.V. 2015



Contents

Preface	2
1 Product description	3
1.1 Intended Use.....	3
1.2 Technical specifications	4
1.3 Components.....	5
1.4 Accessories.....	5
1.5 Explanation of symbols	5
1.6 Safety rules	6
2 Use	6
2.1 Carrying the transferchair.....	7
2.2 Unfolding the transferchair	7
2.3 Fold up the transferchair	7
2.4 Mounting or removing of the footrests	8
2.5 Folding / Unfolding the backrest.....	8
2.6 Operating the brakes.....	9
2.7 Transfer in and out the transferchair	9
2.8 Correct position in the transferchair.....	10
2.9 Riding the transferchair	10
2.10 Moving on slopes	10
2.11 Negotiating steps or curbs	10
2.12 Transport in the car.....	11
3 Installation and adjustment	12
3.1 Tools	12
3.2 Manner of delivery	12
3.3 Adjust the brakes.....	13
3.4 Adjusting of the footrest.....	13
4 Maintenance	14



Preface

First of all we want to thank you for putting your trust in us by selecting one of our transferchairs.

The Vermeiren transferchairs are the result of many years of research and experience. During the development, special attention was given to the ease of use and the serviceability of the transferchair.

The expected lifetime of your transferchair is strongly influenced by the care and maintenance of the transferchair.

This manual will help you get acquainted with the operation of your transferchair.

Following the user instructions and the maintenance instructions are an essential part of the warranty.

This manual reflects the latest product developments. Vermeiren has the right to introduce changes without the obligation to adapt or replace previously delivered models.

For any further questions, please consult your specialist dealer.

1 Product description

1.1 *Intended Use*

The transferchair is intended for people with walking difficulties.

The transferchair is designed to transport 1 person.

The transferchair is suited for indoor and outdoor use.

The transferchair shall be pushed by an attendant.

The different types of fittings and accessories, and the modular construction allow full use for aged persons.

When providing for individual requirements:

- body size and weight (max. 115 kg)
- physical and psychological condition
- residential circumstances
- environment

should be taken into consideration.

Your transferchair should only be used on surfaces where all four wheels are touching the ground and where there is sufficient contact to propel the wheels equally.

You should practice for use on uneven surfaces (cobblestones, etc.), slopes, curves and to get past obstacles (curbs, etc.).

The transferchair should not be used as a ladder, nor is it a transport for heavy or hot objects.

When used on mats, carpeted floors or loose floor coverings, the floor covering can get damaged.

Use only Vermeiren approved accessories.

The manufacturer is not liable for damage caused by the lack of or improper service or as a result of not following instructions from this manual.

Compliance with the user and maintenance instructions are an essential part of the guarantee conditions.



1.2 Technical specifications

Technical terms below are valid for the transferchair in standard settings.

If other footrests / armrests or other accessories are used, the tabulated values will change.

Make	Vermeiren	
Address	Vermeirenplein 1/15, B-2920 Kalmthout	
Type	Transferchair	
Model	Bobby	
Maximum occupant mass	115 kg	
Description	Dimensions	
Effective seat width	420 mm	480 mm
Overall width (depends on the seat width)	590 mm	640 mm
Folded width	270 mm	
Description	Dimensions Min.	Dimensions Max.
Overall length with footrest	950 mm	
Folded length without footrest	740 mm	
Total height	940 mm	
Folded height	750 mm	
Total mass	11,00 kg	11,55 kg
Mass of heaviest part	9,40 kg	9,95 kg
Masses of parts that can be dismantled or removed	Footrests: 1,60 kg	
Static stability downhill	10°	
Static stability uphill	10°	
Static stability sideways	10°	
Obstacle climbing	60 mm	
Seat plane angle	5°	
Effective seat depth	420 mm	
Seat surface height at front edge	500 mm	
Backrest angle	5°	
Backrest height	380 mm	
Distance between footplate and seat	370 mm	500 mm
Angle between seat and footplate	-1°	19°
Angle between seat and leg of footrest	114°	
Distance between armpad and seat	220 mm	
Front location of armrest structure	315 mm	
Handrim diameter	Not applicable	
Horizontal location of axle (deflection)	21 mm	
Minimum turning radius	1500 mm	
Diameter Rear wheels	12,5"	
Tyre pressure, rear (driving) wheels (for air tyres)	Not applicable	
Diameter steering wheels	150 mm	
Tyre pressure, steering wheels (for air tyres)	Not applicable	
Storage and use temperature	+ 5 °C	+ 41 °C
Storage and use humidity	30%	70%
We reserve the right to introduce technical changes. Measurement tolerance ± 15 mm / 1,5 kg / °		

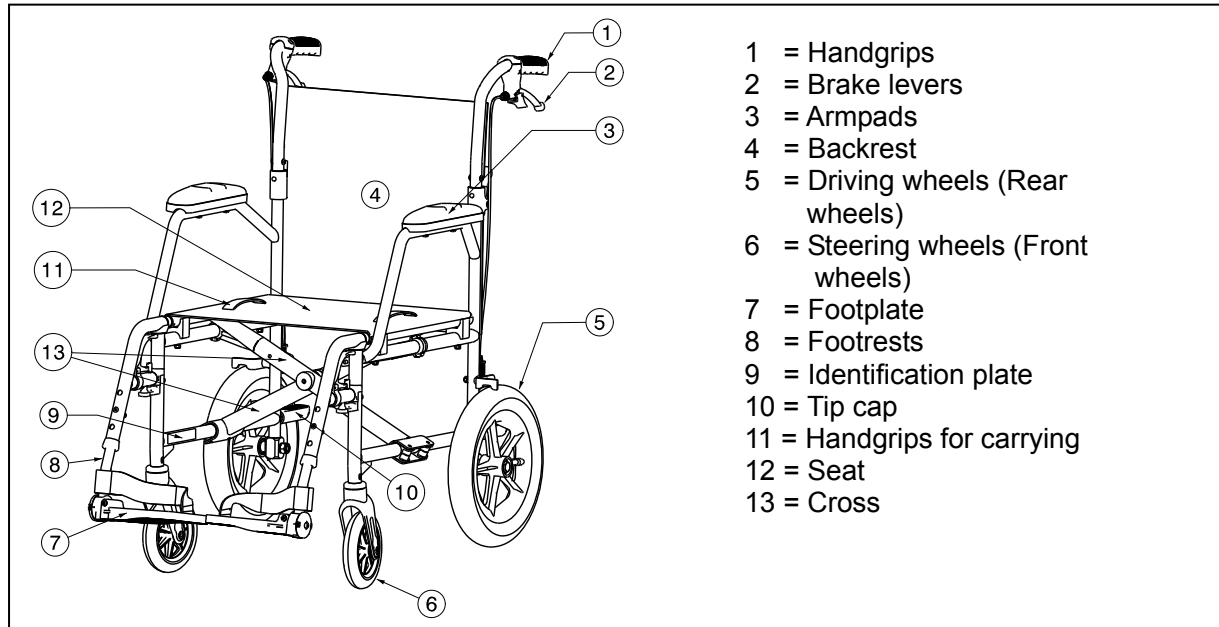
Table 1: Technical specifications Bobby

The transferchair complies to the requirements set up in:

ISO 7176-8: Requirements and test methods for static, impact and fatigue strengths.

ISO 7176-16: Resistance to ignition of upholstered parts

1.3 Components



1.4 Accessories

The following accessories are available for the Bobby:

- Anterior pelvic belt (B20) for mounting over the backrest tube

1.5 Explanation of symbols



Maximum mass



Indoor and outdoor use



Maximum Safe Slope



CE conformity



Type designation



Not intended to be used as a seat in a motor vehicle



1.6 Safety rules

- ⚠ To prevent injury and/or damage to your transferchair, make sure that no objects and/or body parts are caught in the driving wheels.
- ⚠ The parking brakes should be applied before getting into and out of the transferchair.
- ⚠ When getting into and out of the transferchair, do not stand on the footplates. These should be folded up beforehand, or the footrests should be swung completely outwards out of the way.
- ⚠ Investigate the effects of shifting the centre of gravity on the behavior of the transferchair, for example on up or down gradients, on laterally sloping ground, or when overcoming obstacles.
- ⚠ If you want to pick up something (lying in front of, on the side, or to the rear of the transferchair), you should not lean too far out to avoid tipping over.
- ⚠ When moving through doors, arches, etc. ensure that there is enough room at the sides so that you do not get your hands or arms caught or crushed and that there is no damage to the transferchair.
- ⚠ Only use your transferchair according to regulations. For example, avoid uncontrolled rolling against obstacles (steps, curbs, doorframes, etc) or dropping down from ledges. The manufacturer cannot assume liability for damage caused by overloading, collision or other improper use.
- ⚠ Stairs may only be negotiated when aided by another person. If furnishings like drive-on, ramps or lifts are available, use them.
- ⚠ When moving on the public highway, you are subject to the rules of the road.
- ⚠ When driving your transferchair, you should not be under the influence of alcohol or medicine as in the case of driving other vehicles. This also applies to indoor driving.
- ⚠ When travelling outdoors, adapt your driving to weather and traffic conditions.
- ⚠ When transporting the transferchair, never pick it up by grasping movable parts (footrests, etc.)
- ⚠ To be better visible when driving in the dark, wear the brightest possible clothing or clothes with reflectors, and check that the reflectors mounted on the sides and rear of the transferchair are clearly visible.
- ⚠ Never exceed the maximum load of 115 kg.

2 Use

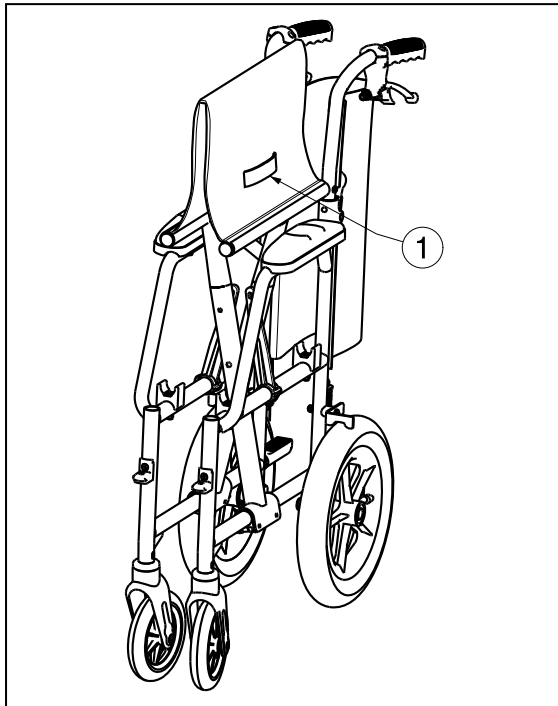
This chapter describes the everyday use. **These instructions are for the user and the specialist dealer.**

The transferchair is delivered fully assembled by your specialist dealer. The instructions intended for the specialist dealer on how to set up the transferchair are given in § 3.

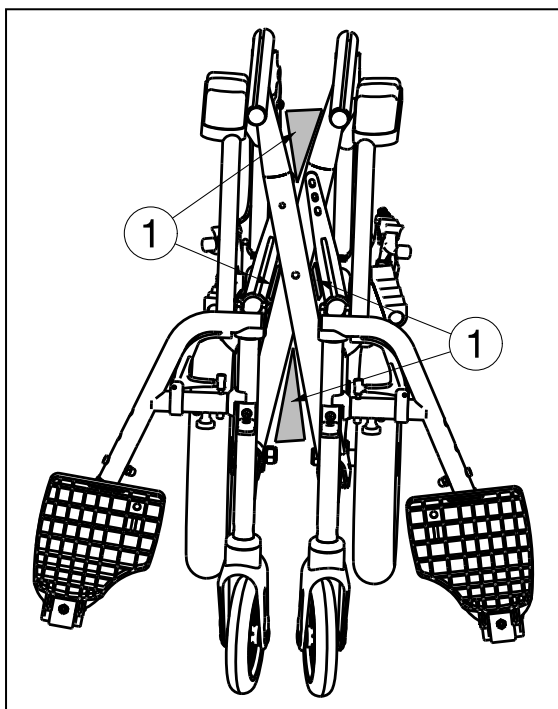
2.1 Carrying the transferchair

The best way to carry the transferchair is to make use of the wheels and roll the transferchair.

If this is not possible, firmly grasp the frame on the front and the grips. Do not use the foot- or armrests or the wheels to grasp the transferchair.



It is also possible to carrying the transferchair with the handgrips ①. First remove the footrests, fold up the transferchair. Now you can grasp the handgrips ① on both side and carry the transferchair to the desired place.



2.2 Unfolding the transferchair

⚠ CAUTION: Risk of clamping – Keep fingers away from moving parts of the transferchair.

1. Position yourself behind the transferchair.
2. Unfold the backrest (see § 2.5).
3. Use the handgrips to open the transferchair as much as possible.
4. Position yourself at the front of the transferchair.
5. Push both seating tubes down till they are fixed in their position.

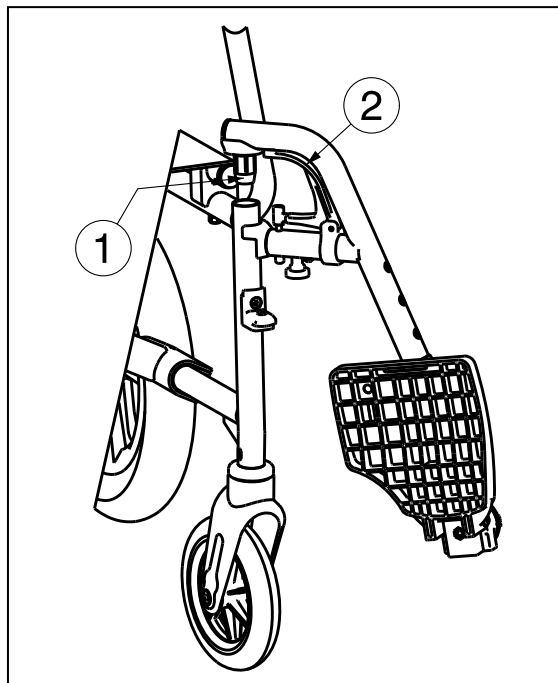
2.3 Fold up the transferchair

⚠ CAUTION: Chance of pinching – Do not place fingers between the components (entrapment zone ①: cross) of the transferchair.

1. Fold the footplates or remove the footrests (see § 2.4).
2. Fold the backrest (see § 2.5).
3. Take the seat on the front side and backside and pull it up.

2.4 Mounting or removing of the footrests

- ⚠ **WARNING:** Risk of injury – Check that the footrests are securely locked in place before use.
- ⚠ **CAUTION:** Risk of clamping – Keep objects and people away from the footrests swing range.



The mounting of the footrest is done as follows:

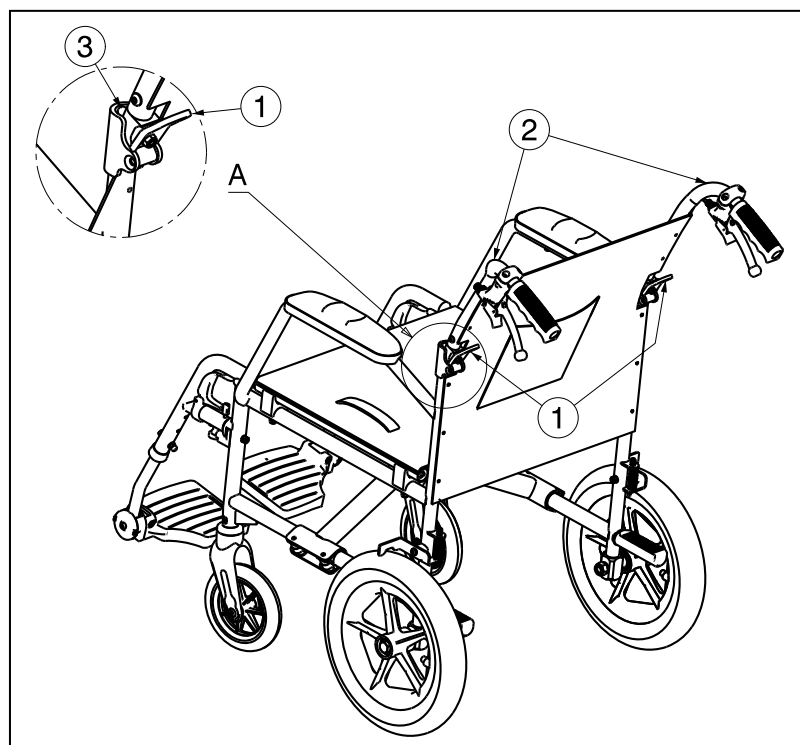
1. Hold the footrest sideways at the outside of the wheelchairs frame and mount the tube hood ① into the frame.
2. Swing the footrest inwards till it clicks in position.
3. Swing the foot plate downwards.

To take off the footrests:

1. Pull handle ②.
2. Swing the footrest to the outside of the wheelchair till it comes loose from the guidance.
3. Pull the footrest from tube hood ①.

2.5 Folding / Unfolding the backrest

- ⚠ **WARNING:** Risk of injury – Check that the backrest is securely locked in place before use.



The folding of the backrest is done as follows:

1. Pull on the levers ①, until the pin ③ comes out the hole.
2. Pull the upper backrest tubes ② downwards until the backrest is fully folded.

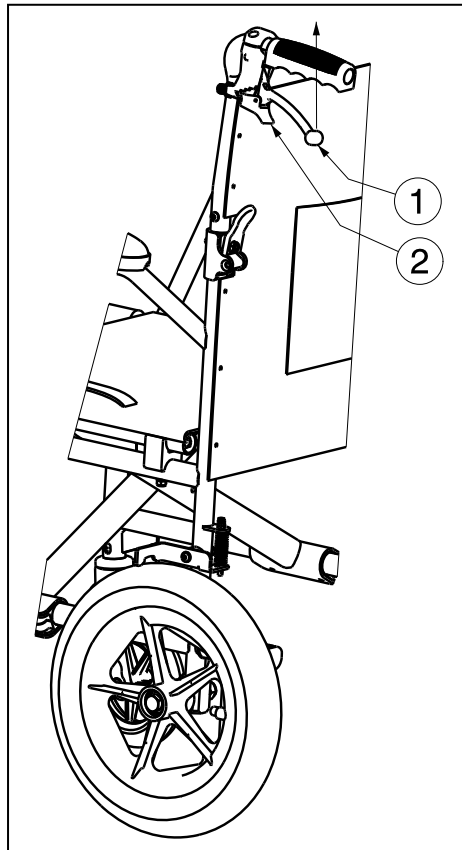
To unfold the backrest:

1. Pull the backrest tubes ② upwards until the backrest is firmly secured.
2. Check that the backrest is locked in place.

2.6 Operating the brakes

- ⚠ **WARNING:** The brakes are not used to slow down the transferchair during movements – Use the brakes only to prevent the transferchair from unintended movements.
- ⚠ **WARNING:** Good operation of the brakes is influenced by wear and contamination of the tires (water, oil, mud, ...) – Check the condition of the tires before each use.
- ⚠ **WARNING:** The brakes are adjustable and can wear – Check the operation of the brakes before each use.

The brakes can only be activated by the attendant.



To engage the parking brakes:

1. Pull the brake levers ① upwards.
2. Push on part ② to block the brakes.

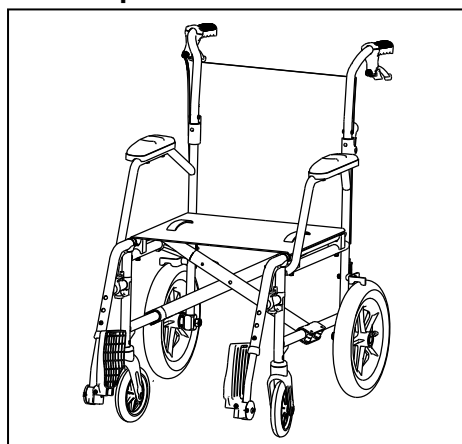
- ⚠ **CAUTION:** Risk of unintended movement – Make sure the transferchair is on a flat horizontal surface before releasing the brakes.

To disengage the parking brakes:

1. First release the part ②.
2. Release the brake levers ①.

2.7 Transfer in and out the transferchair

- ⚠ **CAUTION:** In case you cannot perform the transfer in a safe manner, ask someone to assist you.
- ⚠ **CAUTION:** Risk of tipping over of the transferchair – Do not stand on the footplates.



1. Position the transferchair as close as possible to the chair, couch or bed to/from you wish to transfer.
2. Check both brakes (parking brakes) from the transferchair are activated.
3. Fold the footplates upwards to prevent standing on them.
4. Transfer to/from the transferchair.

2.8 Correct position in the transferchair

Some recommendations for a comfortable use of the transferchair:

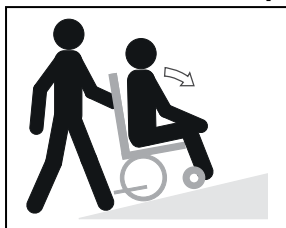
- Position your backside as close as possible to the backrest.
- Make sure your upper legs are horizontal – If needed adjust the length of the footrests (see § 3.4).

2.9 Riding the transferchair

- ⚠ **WARNING: Risk of clamping – Be careful passing through restricted passages (e.g. doors).**
- ⚠ **WARNING: Risk of burns – Be careful when driving in hot or cold environments (sunshine, extreme cold, saunas, etc.) for a sufficient amount of time and when touching - Surfaces can assume the environment temperatures.**
- ⚠ **WARNING: Risk of injury – Keep your arms always in the transferchair.**
 1. Release the brakes.
 2. The attendant grasp the handgrips.
 3. The attendant push the transferchair to the desired direction.

2.10 Moving on slopes

- ⚠ **WARNING: Control your speed – Moving on slopes as slow as possible.**
- ⚠ **WARNING: Consider the capacities of your attendant – If your attendant does not have enough force to control the transferchair, he must put on the brakes.**
- ⚠ **WARNING: Risk of tipping over – Lean forward to move your centre of gravity forward. To improve a better stability.**

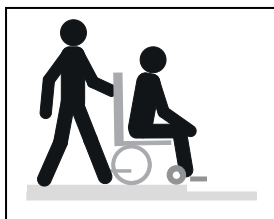


1. If available on the transferchair, wear the safety belt.
2. Do not attempt moving on too high slopes. The maximum slope angles (upwards and downwards) are mentioned in table 1.
3. The attendant shall push you on the slope.
4. Lean forward to move your centre of gravity forward.

2.11 Negotiating steps or curbs

2.11.1 Getting down steps or curbs

Riding down low curbs can be done moving forwards. Make sure that the footplates do not touch the ground.



1. Ask the attendant to tip the transferchair slightly backwards.
2. Get past the curbs while moving on the rear wheels.
3. Put the transferchair back on the four wheels.

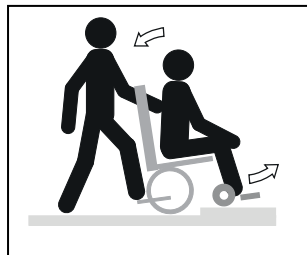


Higher curbs are best done backwards.

1. Turn the transferchair to have the rear wheels facing the curbs.
2. Lean forward to move your centre of gravity forward.
3. Move the transferchair close to the curbs.
4. The attendant pull you softly from the curbs in a controlled manner.

2.11.2 Moving up steps or curbs

Moving up steps or curbs with attendant as follows:



1. Prevent the footplates from touching the curbs.
2. Ask the attendant to tip the transferchair backwards, just enough to move the front wheels over the curbs.
3. Lean backwards to move your centre of gravity above the rear wheels.
4. Place the front wheels on the curbs.
5. Roll rear wheels of the transferchair over the curb.

Higher curbs are negotiated backwards:

1. Turn the transferchair to have the rear wheels facing the curbs.
2. Lean backwards and move your centre of gravity above the rear wheels.
3. Ask the attendant to pull the transferchair on the curbs.
4. Take back the normal position in the transferchair.

2.11.3 Taking of stairs

Never take a moving staircase.

Taking of stairs while you staying in the transferchair shall be according following rules:

⚠ WARNING: Risk of tipping over – Taking of stairs shall always with 2 attendants.

1. Remove the footrests.
2. One attendant tip the transferchair slightly backwards.
3. The second attendant take the front of the frame.
4. Stay calm, avoid sudden movements and keep your arms inside the transferchair.
5. Take the steps on the rear wheels of the transferchair.
6. Mounting the footrests back after taking the stair.

2.12 Transport in the car

⚠ DANGER: Risk of injury – The transferchair is not suited for use as a seat in a motor vehicle.

⚠ WARNING: Risk of injury – See that the transferchair is attached properly. So you can avoid injury from the passengers during collision or sudden braking.

⚠ WARNING: Risk of injury – Use for attaching the transferchair and passenger NEVER the same seatbelt.

Never use your transferchair as a seat in an automobile or other vehicle. The transferchair shall be marked with following symbol.





To transport the transferchair in the car use following steps:

1. Remove footrests and accessories.
2. Store footrests and accessories safely.
3. Fold the transferchair.
4. Place the transferchair in the luggage place.
5. If the transferchair and the passenger compartment is NOT separated, attach the frame of the transferchair securely to the vehicle. You can use the available safety belts in the vehicle.

3 Installation and adjustment

The instructions in this chapter are for the specialist dealer.

The Vermeiren transferchairs Bobby has been designed for short trip and easily transfer.

To find a service facility or specialist dealer near you, contact the nearest Vermeiren facility. A list of Vermeiren facilities can be found on the last page.

⚠ WARNING: Risk of unsafe settings - Use only the settings described in this manual.

⚠ WARNING: Variation of allowed adjustments can still change the stability of your transferchair (tilt back or sideways).

3.1 Tools

To set up the transferchair the following tools are needed.

- Wrench set n° 10
- Allen key set n° 4

3.2 Manner of delivery

The Vermeiren Bobby shall be delivered with:

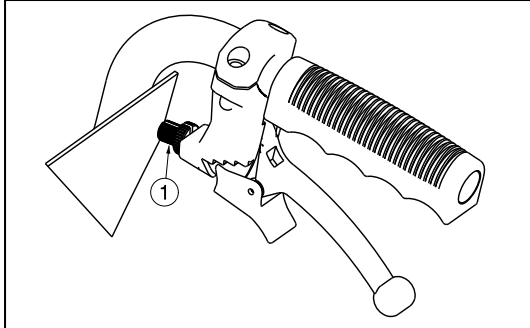
- 1 frame with armrests, rear and front wheels
- 1 pair footrests
- Handgrips + brake levers
- Back and seat cushion
- Tools
- Manual
- Accessories (optional)

Before use check if everything is included and that no products are damaged (example by transport, ...).

3.3 Adjust the brakes

⚠ WARNING: Risk of injury – Brakes may only be adjusted by your specialist dealer.

Adjust the brakes according following rules:

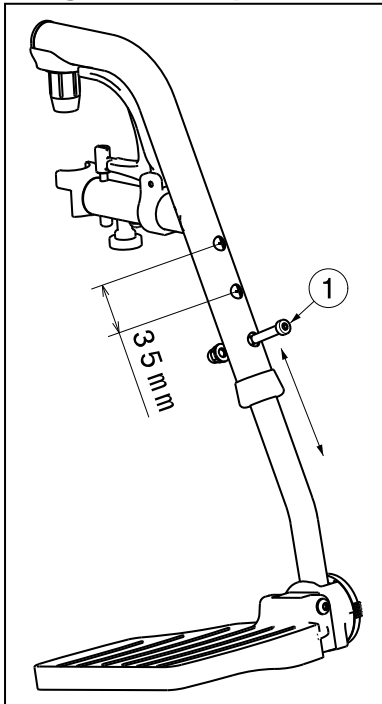


1. Turn on part ① to adjust the tension of the brakes.
2. Check working of the brakes.
3. If necessary repeat turning part ① until the brakes are adjusted well.

3.4 Adjusting of the footrest

3.4.1 Length of the footrest

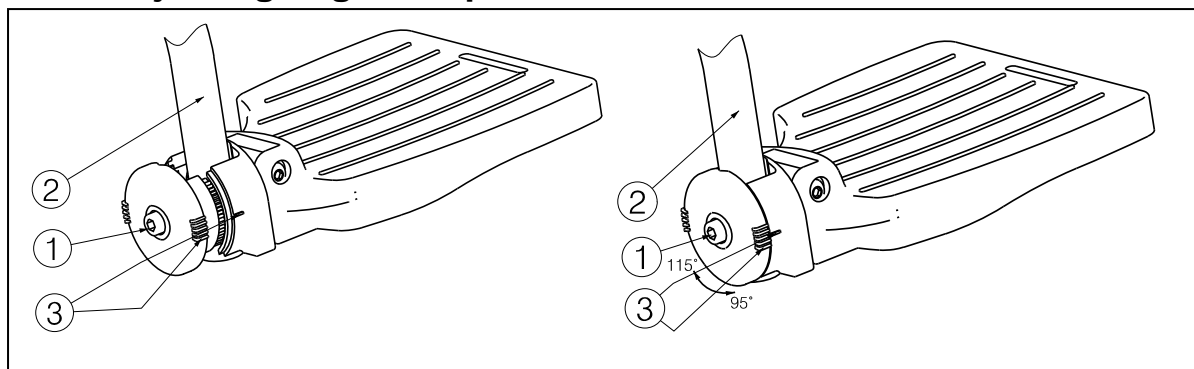
⚠ CAUTION: Risk of damage – Avoid that the footplate make any contact with the ground. Keep a minimum distance from 60 mm above the ground.



Adjust the length of the footrest as follow (3 positions possible: steps 35 mm → holes outside tube, 6 positions possible: steps 25 mm → inner tube):

1. Remove the screw ①.
2. Adjust the length of the footrest to a comfortable length.
3. Tighten the screw ① properly.

3.4.2 Adjusting angle footplates



Adjust the angle of the footplates as follow:

1. Loosen bolt ①.
2. Adjust tube ② in the desired angle. The angle indication (95°-100°-105°-110°-115°) is according the dashes ③.
3. Retighten the bolt ①.

4 Maintenance

For the maintenance manual of the transferchairs refer to the Vermeiren website:
www.vermeiren.be.

Table des matières

Préface	2
1 Description du produit	3
1.1 Utilisation prévue	3
1.2 Spécifications techniques	4
1.3 Composants	5
1.4 Accessoires	5
1.5 Explication des symboles	5
1.6 Règles de sécurité	6
2 Utilisation	6
2.1 Porter le fauteuil de transfert	7
2.2 Dépliage du fauteuil de transfert	7
2.3 Pliage du fauteuil de transfert	7
2.4 Placer ou enlever les repose-pieds	8
2.5 Pliez / dépliez le dossier	8
2.6 Utilisation des freins	9
2.7 Transfert dans et hors du fauteuil de transfert	9
2.8 Position correcte dans le fauteuil de transfert	10
2.9 Déplacements avec le fauteuil de transfert	10
2.10 Déplacements en pente	10
2.11 Passage de marches ou de bordures de trottoirs	10
2.12 Transport en voiture	11
3 Installation et réglage	12
3.1 Outils	12
3.2 Mode de livraison	12
3.3 Réglages des freins	13
3.4 Réglage du repose-pied	13
4 Maintenance	14

Préface

Nous tenons tout d'abord à vous remercier de nous avoir fait confiance en choisissant l'un de nos fauteuils de transferts.

Les fauteuils de transferts Vermeiren sont le résultat de nombreuses années de recherche et d'expérience. Au cours du développement, une attention spéciale a été portée sur la facilité d'utilisation et les possibilités d'entretien du fauteuil de transfert.

La durée de vie de votre fauteuil de transfert dépend fortement du soin dont vous faites preuve lors de son utilisation.

Ce manuel vous aidera à connaître le fonctionnement de votre fauteuil de transfert.

Le respect des instructions d'utilisation et des instructions de maintenance est une condition essentielle de la garantie.

Ce manuel reflète les derniers développements du produit. Vermeiren est autorisé à apporter des modifications sans devoir pour autant adapter ou remplacer les modèles fournis précédemment.

Pour toute question, consultez votre distributeur.

1 Description du produit

1.1 Utilisation prévue

Le fauteuil de transfert est destiné aux personnes qui ont des difficultés à marcher.

Le fauteuil de transfert est destiné au transport d'une seule personne.

Le fauteuil de transfert est destiné à une utilisation en intérieur et en extérieur.

Le fauteuil de transfert doit être poussé par un accompagnateur

Les différentes configurations et accessoires, et la modularité du fauteuil permet une utilisation par tout type de personnes âgées.

En cas de fourniture pour des besoins individuels :

- de la taille et du poids corporel (maximum 115 kg),
- de l'état physique et psychologique,
- de l'environnement de vie,
- de l'environnement

Votre fauteuil de transfert ne doit être utilisé que sur des surfaces où les quatre roues touchent le sol et où le contact est suffisant pour entraîner les roues de manière équilibrée.

Il est recommandé de s'entraîner à un usage sur des surfaces irrégulières (pavés, etc.), pentes, courbes et à passer des obstacles (bordures de trottoirs, etc.).

Le fauteuil de transfert ne fait pas office d'engin d'escalade ou pour transporter des objets chauds ou lourds.

En cas d'utilisation sur des paillasons, moquettes ou revêtements de sols non fixés, le revêtement de sol peut être endommagé.


Utilisez uniquement des accessoires approuvés par Vermeiren.

Le fabricant n'est pas responsable des dommages causés par l'absence ou l'inadéquation de l'entretien, ou par le non-respect des instructions de ce manuel.

Le respect des instructions d'utilisation et des instructions de maintenance est une condition essentielle de la garantie.

1.2 Spécifications techniques

Les indications techniques ci-dessous sont valides pour le fauteuil de transfert avec ses réglages standard. En cas d'utilisation d'autres repose-pieds/accoudoirs ou autres accessoires, les valeurs indiquées sont modifiées.

Marque	Vermeiren	
Adresse	Vermeirenplein 1/15, B-2920 Kalmthout	
Type	Fauteuil de transfert	
Modèle	Bobby	
Poids max. du patient	115 kg	
		
Description	Dimensions	
Largeur d'assise efficace	420 mm	480 mm
Largeur totale (en fonction de la largeur d'assise)	590 mm	640 mm
Largeur pliée	270 mm	
Description	Dimensions min.	Dimensions max.
Longueur totale avec repose-pied	950 mm	
Longueur pliée sans repose-pied	740 mm	
Hauteur totale	940 mm	
Hauteur pliée	750 mm	
Masse totale	11,00 kg	11,55 kg
Masse de la partie la plus lourde	9,40 kg	9,95 kg
Des masses de pièces qui peuvent être démontés ou retirées	Repose-pieds : 1,60 kg	
Stabilité statique en descente	10°	
Stabilité statique en montée	10°	
Stabilité statique latérale	10°	
Passage d'obstacle	60 mm	
Angle du plan d'assise	5°	
Profondeur d'assise efficace	420 mm	
Hauteur de la surface d'assise sur le bord avant	500 mm	
Angle du dossier	5°	
Hauteur du dossier	380 mm	
Distance entre la palette et le siège	370 mm	500 mm
Angle entre la palette et le siège	-1°	19°
Angle entre le jambe de repose-pied et le siège	114°	
Distance entre la manchette et le siège	220 mm	
Emplacement avant de la structure de l'accoudoir	315 mm	
Diamètre de la main-courante	Ne s'applique pas	
Emplacement horizontal de l'essieu (flèche)	21 mm	
Diamètre de braquage minimum	1500 mm	
Diamètre des roues arrières	12,5"	
Pression des pneus, roues arrières (roues motrices) (pour les pneus à air)	Ne s'applique pas	
Diamètre des roues directrices	150 mm	
Pression des pneus, roues directrices (pour les pneus à air)	Ne s'applique pas	
Température de stockage et d'utilisation	+ 5 °C	+ 41 °C
Humidité de stockage et d'utilisation	30%	70%

Nous nous réservons le droit d'apporter des modifications techniques. Tolérances ± 15 mm / 1,5 kg / °

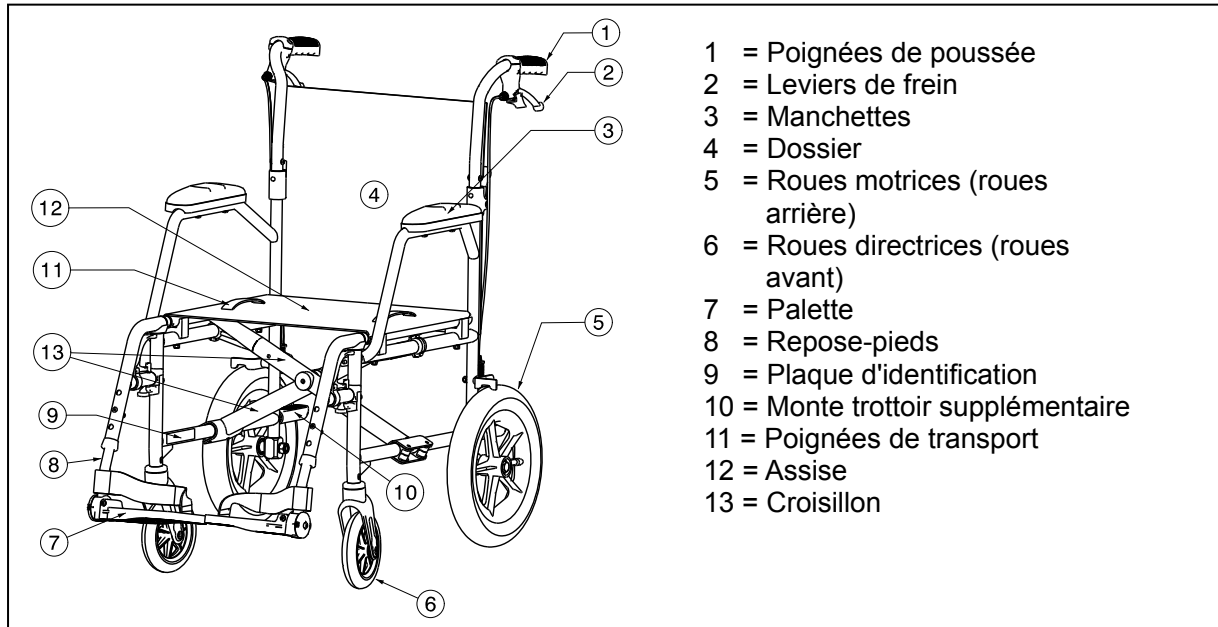
Tableau 1 : Spécifications techniques Bobby

Le fauteuil de transfert satisfait aux exigences posées dans :

ISO 7176-8: Exigences et méthodes de test pour les forces statiques, d'impact et de fatigue.

ISO 7176-16: Résistance à l'inflammation des pièces rembourrées

1.3 Composants



1.4 Accessoires

Les accessoires suivants sont disponibles pour le Bobby :

- Sangle pelvienne antérieure (B20) à monter sur les tubes du dossier

1.5 Explication des symboles



Poids maximum



Usage intérieur et extérieur



Pente sécurisée maximale



Conformité CE



Désignation type



Ne convient pas pour être utilisé comme siège dans un véhicule motorisé

1.6 Règles de sécurité

- ⚠ Pour éviter toute blessure et/ou dommages, assurez-vous qu'aucun objet et/ou parties du corps ne se placent entre les roues motrices. Cela peut en effet causer des lésions et/ou des dommages au fauteuil de transfert.
- ⚠ Actionnez les freins avant de vous installer ou de quitter votre fauteuil de transfert.
- ⚠ En vous installant ou en quittant votre fauteuil de transfert, veillez à ne pas marcher sur les palettes. Il doit être repliés vers le haut ou tout le repose-pied doit être tourné vers l'extérieur.
- ⚠ Observez les effets sur le comportement du fauteuil de transfert lorsque vous déplacez son centre de gravité, sur une pente ou une montée, sur un sol avec une pente latérale ou lors du franchissement d'obstacles par exemple.
- ⚠ Lorsque vous prenez des objets (qui se trouvent devant, à côté ou derrière le fauteuil de transfert), veillez à ne pas trop vous pencher trop loin hors du fauteuil. Car il y a un risque de basculement en raison du déplacement du centre de gravité.
- ⚠ Lorsque vous franchissez des portes, des arches, etc., assurez-vous d'avoir assez d'espace sur les côtés de façon à ne pas coincer ou écraser vos mains ou vos bras et à ne pas endommager votre fauteuil de transfert.
- ⚠ Respectez les règles lors de l'utilisation de votre fauteuil de transfert. Par exemple, évitez de perdre le contrôle lorsque vous vous dirigez vers des obstacles (marches, bordures, chambranles, etc.) ou lorsque vous descendez d'un rebord. Le fabricant n'assume aucune responsabilité en cas de dommages causés par une surcharge, une collision ou toute autre utilisation inadaptée.
- ⚠ N'empruntez des escaliers qu'avec l'aide d'une autre personne. Si un élévateur, des rampes ou des ascenseurs sont disponibles, utilisez-les.
- ⚠ Lors de tout déplacement sur la voie publique, vous êtes soumis au code de la route.
- ⚠ Lorsque vous utilisez votre fauteuil de transfert, vous ne devez pas être sous l'influence de l'alcool ou de médicaments comme pour la conduite d'autres véhicules. Cette règle s'applique également à une utilisation à l'intérieur.
- ⚠ Lors de déplacements à l'extérieur, adaptez votre conduite aux conditions climatiques et du trafic.
- ⚠ Lors du transport du fauteuil de transfert, ne la saisissez jamais par les pièces mobiles (repose-pieds, etc.).
- ⚠ Afin d'améliorer votre visibilité lors d'un déplacement de nuit, portez les vêtements les plus clairs possible ou des vêtements réfléchissants et vérifiez que les réflecteurs fixés sur les côtés et à l'arrière de votre fauteuil de transfert sont clairement visibles.
- ⚠ Ne dépassez jamais la charge maximale de 115 kg.

2 Utilisation

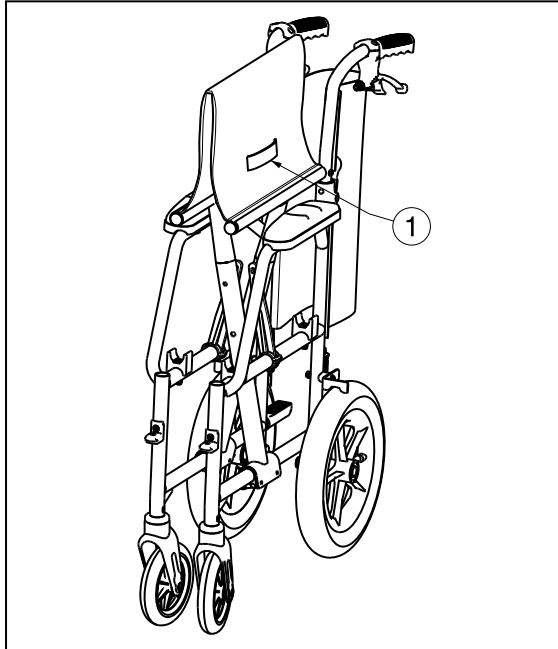
Ce chapitre décrit l'utilisation quotidienne. **Ces instructions sont destinées à l'utilisateur et au distributeur.**

Le fauteuil de transfert est livré entièrement assemblé et réglage par votre distributeur. Les instructions destinées au distributeur pour le réglage du fauteuil de transfert sont indiquées au § 3.

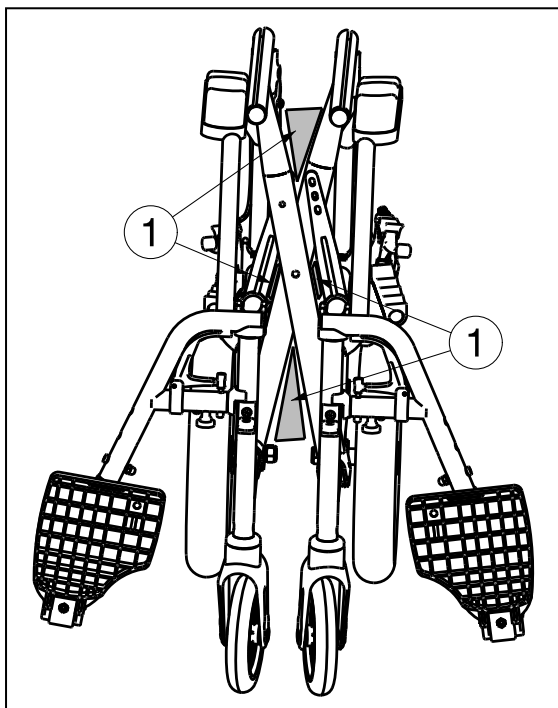
2.1 Porter le fauteuil de transfert

Le meilleur moyen de déplacer le fauteuil de transfert consiste à le faire rouler sur ses roues.

Si cela n'est pas possible, saisir fermement le châssis à l'avant et les poignées. Ne pas saisir le fauteuil roulant par les repose-pieds ni par les accoudoirs.



Il est également possible de transporter le fauteuil de transfert avec les poignées ①. Commencez par retirer les repose-pieds, plier le fauteuil de transfert. Maintenant, vous pouvez saisir les poignées ① sur les deux côtés et porter le fauteuil de transfert à l'endroit désiré.



2.2 Dépliage du fauteuil de transfert

⚠ ATTENTION : risque de coincement - Laissez les doigts à l'écart des pièces amovibles du fauteuil de transfert.

1. Placez-vous derrière le fauteuil de transfert.
2. Déployez le dossier pour l'ouvrir (voir paragraphe 2.5).
3. Utilisez les poignées pour ouvrir le fauteuil de transfert autant que possible.
4. Placez-vous à l'avant du fauteuil de transfert.
5. Poussez sur les deux tubes de l'assise vers le bas jusqu'à ce qu'ils soient fixés à leur place.

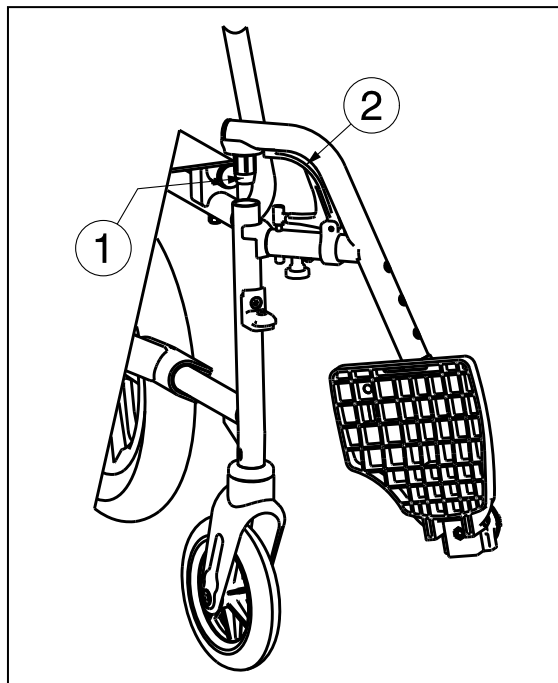
2.3 Pliage du fauteuil de transfert

⚠ ATTENTION : risque de coincement - N'insérez pas les doigts entre les éléments (zone représentant des points noirs ①: croisillon) du fauteuil de transfert.

1. Pliez les palettes vers le haut ou démontez les repose-pieds (voir § 2.4).
2. Rabattez le dossier (voir paragraphe 2.5).
3. Saisissez l'avant et l'arrière du siège et tirez vers le haut.

2.4 Placer ou enlever les repose-pieds

- ⚠ **AVERTISSEMENT** : risque de blessures – Vérifiez que les repose-pieds sont fermement installés avant d'utiliser le fauteuil transfert.
- ⚠ **ATTENTION** : risque de blocage – Ne pas placer d'objets ou vos doigts au niveau de la partie amovible du repose-pieds.



L'installation de repose-pied se fait de la manière suivante :

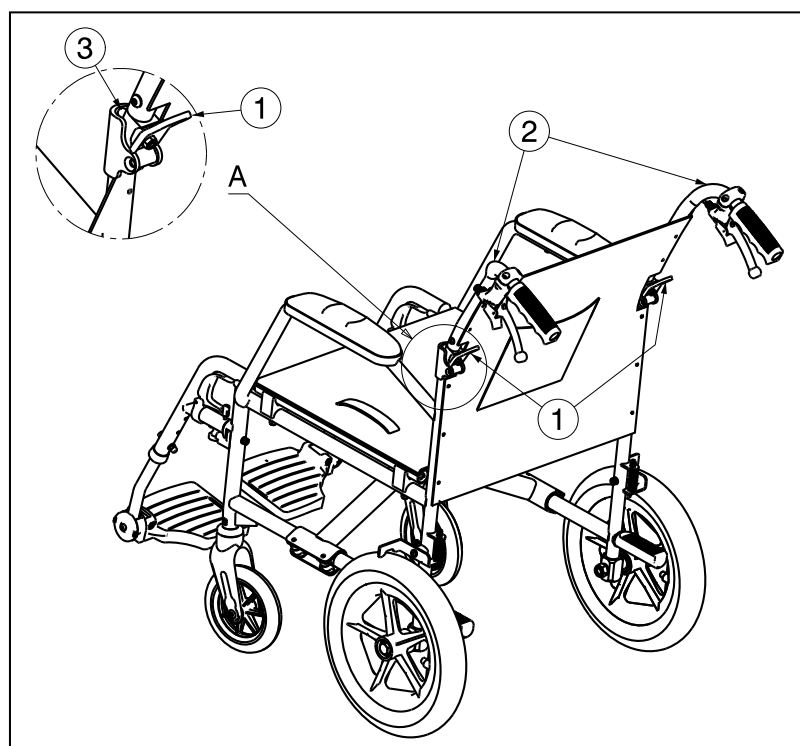
1. Mettez le repose-pied latéralement vers l'extérieur du cadre et montez le repose-pied avec l'embout ① dans le cadre.
2. Faites tourner le repose-pied vers l'intérieur jusqu'à ce qu'il se fixe.
3. Tournez la palette vers le bas.

Vous devez procéder de la manière suivante pour enlever les repose-pieds :

1. Tirez le levier ② vers le haut.
2. Tournez le repose-pieds vers l'extérieur jusqu'à ce qu'il sorte du conduit.
3. Tirez le repose-pied hors du logement de tube ①.

2.5 Pliez / dépliez le dossier

- ⚠ **AVERTISSEMENT** : risque de blessures – Vérifiez que le dossier sont fermement installés avant d'utiliser le fauteuil transfert.



Le pliage du dossier se fait de la manière suivante:

1. Tirez sur les leviers ①, jusqu'à ce que la broches ③ sort du trou.
2. Tirer les tubes du dossier supérieur ② vers le bas jusqu'à ce que le dossier soit complètement plié.

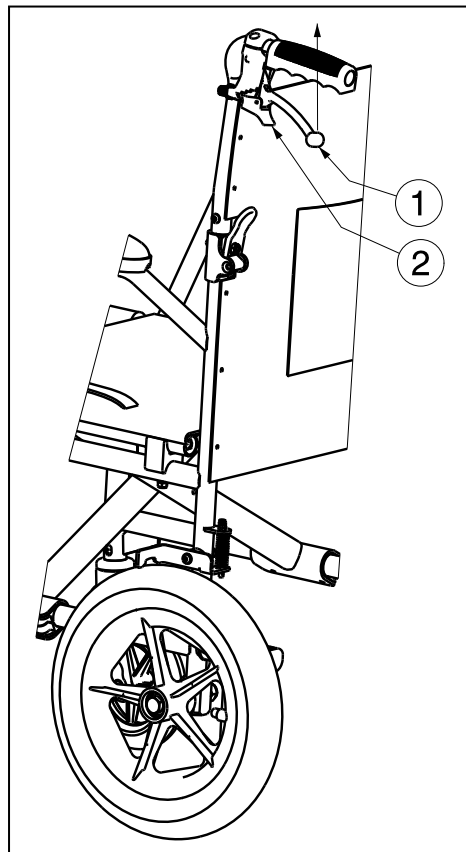
Pour déployer le dossier :

1. Tirer les tubes du dossier ② vers le haut jusqu'à ce que le dossier est fixé fermement.
2. Vérifiez que le dossier est fixé fermement.

2.6 Utilisation des freins

- ⚠ **AVERTISSEMENT** : les freins n'ont pas pour but de ralentir le fauteuil de transfert lors de déplacements – Ne les utilisez que pour éviter des mouvements non souhaités.
- ⚠ **AVERTISSEMENT** : L'usure et la contamination des pneus (eau, huile, boue, ...) influencent de le bon fonctionnement des freins. Vérifiez l'état des pneus avant chaque utilisation.
- ⚠ **AVERTISSEMENT** : les freins sont réglables et sont sujets à l'usure – Vérifiez leur fonctionnement avant chaque utilisation.

Les freins ne peuvent être activés par la tierce-personne.



Verrouillez les freins de stationnement:

1. Tirez les leviers de frein ① vers le haut.
2. Appuyez sur la partie ② pour bloquer les freins.

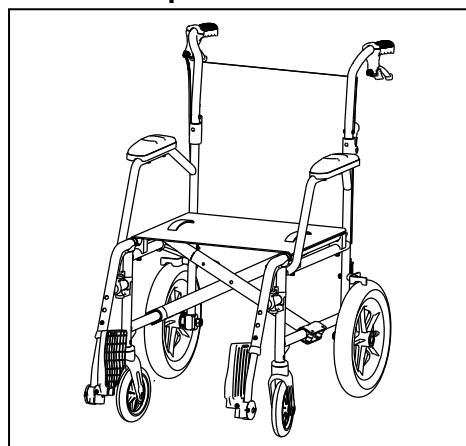
- ⚠ **ATTENTION** : risque de mouvements non souhaités. Vérifiez que le fauteuil de transfert se trouve sur une surface horizontale plane avant de relâcher les freins.

Déverrouillez les freins de stationnement:

1. Premièrement libérez la partie ②.
2. Relâchez les leviers de frein ①.

2.7 Transfert dans et hors du fauteuil de transfert

- ⚠ **ATTENTION** : Si vous ne pouvez pas réaliser le transfert en toute sécurité, demandez à quelqu'un de vous aider.
- ⚠ **ATTENTION** : risque de basculer hors du fauteuil de transfert. Ne vous levez pas sur les palettes.



1. Placez le fauteuil de transfert aussi près que possible de la chaise, du canapé ou du lit concerné par le transfert.
2. Vérifiez que les deux freins (freins de stationnement) du fauteuil de transfert sont activés.
3. Pliez les palettes vers le haut pour éviter de prendre appui sur elles.
4. Procédez au transfert vers/depus le fauteuil de transfert.

2.8 Position correcte dans le fauteuil de transfert

Voici quelques recommandations pour utiliser confortablement votre fauteuil de transfert :

- Placez votre dos aussi proche que possible du dossier.
- Assurez-vous que vos cuisses soient horizontales. Réglez la longueur des repose-pieds si nécessaire (voir § 3.4).

2.9 Déplacements avec le fauteuil de transfert

- ⚠ **AVERTISSEMENT** : risque de pincement - **Soyez prudent lorsque vous franchissez des passages étroits (portes, par exemple).**
- ⚠ **AVERTISSEMENT** : Risque de brûlures - **Soyez prudent lorsque vous roulez dans des environnements extrêmement chauds ou froids (soleil, froid extrême, sauna, etc.) pour une durée déterminée et lorsqu'il y a des contacts - Les surfaces peuvent absorber la température ambiante.**
- ⚠ **AVERTISSEMENT** : risque de blessures – **Gardez vos bras toujours dans le fauteuil de transfert.**
 1. Relâchez les freins.
 2. La tierce-personne saisit les poignées.
 3. La tierce-personne pousse le fauteuil de transfert dans la direction souhaitée.

2.10 Déplacements en pente

- ⚠ **AVERTISSEMENT** : contrôlez votre vitesse, déplacez-vous sur les pentes aussi lentement que possible.
- ⚠ **AVERTISSEMENT** : prenez en compte les capacités de votre accompagnateur – **Si la tierce-personne n'a pas assez de force pour contrôler le fauteuil de transfert, il doit mettre les freins.**
- ⚠ **AVERTISSEMENT** : risque de basculement. **Penchez-vous vers l'avant pour déplacer votre centre de gravité vers l'avant. Vous gagnerez ainsi en stabilité.**

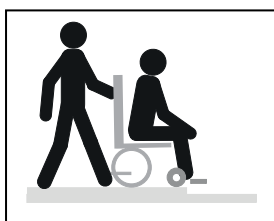


1. Si le fauteuil de transfert est équipé d'une ceinture de sécurité, utilisez-la.
2. N'essayez pas de franchir des pentes trop difficiles. Les angles maximum de la pente (vers le haut et vers le bas) figurent au tableau 1.
3. La tierce-personne doit vous pousser sur la pente.
4. Penchez-vous vers l'avant pour déplacer votre centre de gravité vers l'avant.

2.11 Passage de marches ou de bordures de trottoirs

2.11.1 Descente de marches ou de bordures de trottoirs

Il est possible de descendre de petites bordures de trottoirs en avançant. Assurez-vous que les palettes ne touchent pas le sol.



1. Demandez à l'assistant d'incliner légèrement le fauteuil de transfert vers l'arrière.
2. Franchissez les bordures de trottoirs en roulant sur les roues arrière.
3. Reposez le fauteuil de transfert sur ses quatre roues.

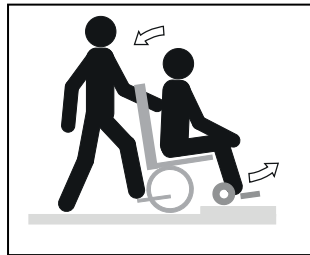


Franchissez les bordures de trottoirs hautes en marche arrière :

1. Tournez le fauteuil de transfert, roues arrières face à la bordure de trottoir.
2. Penchez-vous vers l'avant pour déplacer votre centre de gravité vers l'avant.
3. Reculez près de la bordure de trottoir.
4. La tierce-personne vous tire doucement des bordures d'une manière contrôlée.

2.11.2 Montée de marches ou de bordures de trottoirs

Montez des marches ou bordures de trottoirs avec un assistant de la manière suivante :



1. Assurez-vous que les palettes ne touchent pas les bordures de trottoirs.
2. Demandez à l'assistant d'incliner légèrement le fauteuil de transfert vers l'arrière, juste assez pour placer les roues avant en haut de la bordure de trottoir.
3. Penchez-vous vers l'arrière et déplacez votre centre de gravité au-dessus de la roue arrière.
4. Placez les roues avant sur la bordure de trottoir.
5. Montez la bordure du trottoir avec les roues arrière du fauteuil de transfert.

Franchissez les bordures de trottoirs hautes en marche arrière :

1. Tournez le fauteuil de transfert, roues arrières face à la bordure de trottoir.
2. Penchez-vous vers l'arrière et déplacez votre centre de gravité au-dessus de la roue arrière.
3. Demandez à l'assistant de tirer le fauteuil de transfert sur la bordure de trottoir.
4. Reprenez votre position normale dans le fauteuil de transfert.

2.11.3 Passage d'escaliers

Ne jamais prendre d'escalator.

Le passage d'escaliers en restant sur le fauteuil de transfert doit toujours se faire dans le respect des règles suivantes :

⚠ AVERTISSEMENT : risque de basculement – Passez toujours des escaliers avec 2 accompagnateurs.

1. Retirez les repose-pieds.
2. Un assistant incline légèrement le fauteuil de transfert vers l'arrière.
3. Le deuxième assistant attrape l'avant du châssis.
4. Restez calme, évitez les mouvements brusques et gardez les bras à l'intérieur du fauteuil de transfert.
5. Passez les marches sur les roues arrière du fauteuil de transfert.
6. Remontez les repose-pieds après le passage des escaliers.

2.12 Transport en voiture

⚠ DANGER : Risque de lésion - Le fauteuil de transfert ne convient pas pour être utilisé comme un siège dans un véhicule motorisé.

⚠ AVERTISSEMENT : Risque de lésion - Assurez-vous que le fauteuil de transfert est suffisamment fixé afin d'éviter des blessures aux passagers pendant une collision ou pendant un freinage brusque.

⚠ AVERTISSEMENT : risque de blessure. N'utilisez JAMAIS la même ceinture pour le fauteuil de transfert et le passager.

N'utilisez jamais le fauteuil de transfert comme un siège dans une voiture ou dans un autre véhicule. Le fauteuil de transfert est marqué avec le symbole suivant :



Pour transporter le fauteuil de transfert dans la voiture, respectez les étapes suivantes :

1. Retirez les repose-pieds et les accessoires.
2. Stockez-les en toute sécurité.
3. Pliez le fauteuil de transfert.
4. Placez le fauteuil de transfert dans le compartiment à bagages.
5. Si le fauteuil de transfert n'est PAS séparé de l'habitacle, fixez correctement le châssis du fauteuil de transfert au véhicule. Vous pouvez utiliser les ceintures de sécurité disponibles dans le véhicule.

3 Installation et réglage

Les instructions de ce chapitre sont destinées au distributeur.

Le fauteuil de transfert Bobby a été conçu pour de courts déplacements et un transfert facile.

Pour trouver un service d'entretien ou un revendeur spécialisé près de chez vous, contactez l'établissement Vermeiren le plus proche. Vous trouverez une liste des établissements sur la dernière page.

⚠ AVERTISSEMENT : Risque de réglages dangereux - N'utilisez que les réglages décrits dans ce manuel.

⚠ AVERTISSEMENT : Une variation des réglages autorisés peut avoir une incidence sur la stabilité de votre fauteuil de transfert (inclinaison en arrière ou latérale).

3.1 Outils

Les outils suivants sont requis pour le montage du fauteuil de transfert.

- Clé plate / clé à douille n°. 10
- Jeu de clés Allen de 4

3.2 Mode de livraison

Le Vermeiren Bobby est livré de la manière suivante :

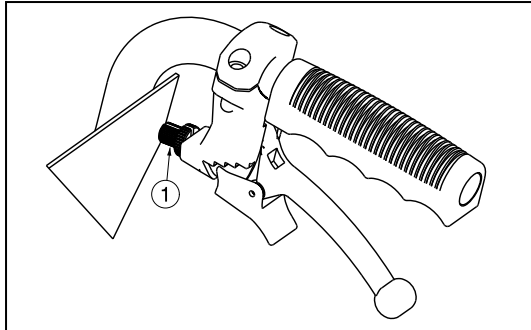
- 1 châssis avec accoudoirs, roues avants et arrières
- 1 paire de repose-pieds
- Poignées + Leviers de freins
- Coussin pour le dos et l'assise
- Outils
- Mode d'emploi
- Accessoires (en option)

Vérifiez que vous êtes en possession de tous ces éléments et qu'aucun n'a été endommagé (en particulier durant le transport).

3.3 Réglages des freins

⚠ AVERTISSEMENT : danger de lésion - Faites régler les freins par un commerçant spécialisé et agréé.

Vous devez régler les freins de la manière suivante :

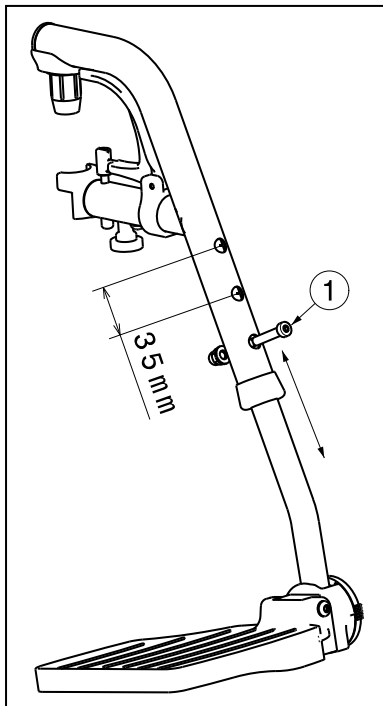


1. Tournez la partie ① pour ajuster la tension des leviers.
2. Contrôlez le fonctionnement des freins.
3. Si nécessaire, répétez la partie ① jusqu'à ce que les freins soient bien réglés.

3.4 Réglage du repose-pied

3.4.1 Longueur du repose-pied

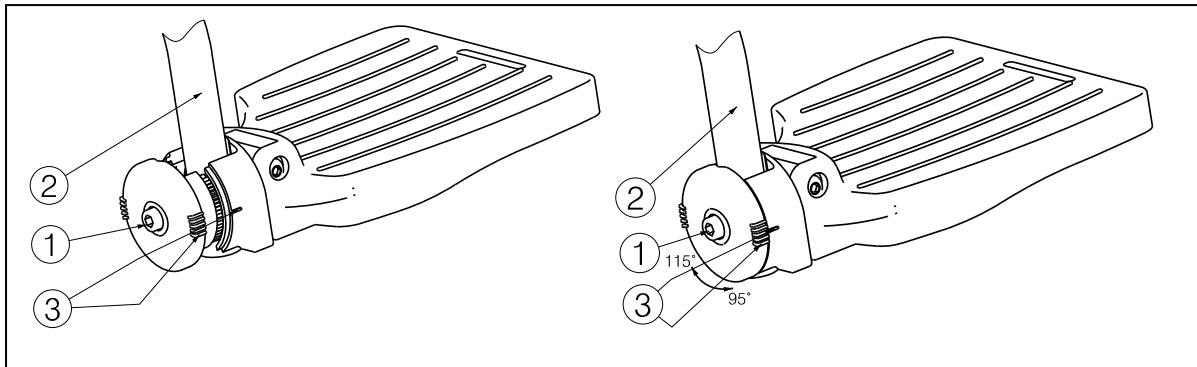
⚠ ATTENTION : risque de dommage, évitez tout contact entre les palettes et le sol. Conservez une distance minimale de 60 mm au-dessus du sol.



Réglez la longueur de repose-pied de la manière suivante (3 positions possibles : étape de 35 mm → trous sur le conduit extérieur, 6 positions possibles : étape de 25 mm → conduit extérieur):

1. Enlevez la vis ①.
2. Réglez la longueur du repose-pied pour une assise confortable.
3. Serrez à nouveau bien la vis ①.

3.4.2 Réglage de l'angle des palettes



Pour régler l'angle des palettes, vous devez procéder de la manière suivante :

1. Desserrez le boulon ①.
2. Réglez le tube ② à l'angle souhaité. L'indication d'angle (95°, 100°, 105°, 110°, 115°) correspond aux petits traits ③.
3. Resserrez le boulon ①.

4 Maintenance

Le mode d'emploi des fauteuils de transfert se trouve sur le site Internet de Vermeiren, www.vermeiren.be.

INHOUDSOPGAVE

Voorwoord	2
1 Product omschrijving	3
1.1 Toepassingsgebied.....	3
1.2 Technische specificaties	4
1.3 Onderdelen	5
1.4 Accessoires.....	5
1.5 Gebruikte symbolen	5
1.6 Voor Uw veiligheid	6
2 Gebruik.....	6
2.1 Dragen van de transferstoel.....	7
2.2 Ontvouwen van de transferstoel.....	7
2.3 Opvouwen van de transferstoel.....	7
2.4 Plaatsen of verwijderen van de voetsteunen	8
2.5 Op- / openvouwen van de rug	8
2.6 Bedienen van de remmen	9
2.7 Transfer in en uit de transferstoel.....	9
2.8 Correcte positie in de transferstoel.....	10
2.9 Rijden met de transferstoel.....	10
2.10 Rijden op hellingen	10
2.11 Nemen van hindernissen (trottoirs).....	10
2.12 Transport in de auto.....	11
3 Montage en instellingen.....	12
3.1 Gereedschap	12
3.2 Leveringsomvang	12
3.3 Afstellen van de remmen.....	13
3.4 Instellen van de voetsteun	13
4 Onderhoud.....	14

Voorwoord

We willen U danken voor het vertrouwen dat U in onze transferstoelen stelt.

De transferstoelen van Vermeiren zijn het resultaat van jarenlange studies en ervaringen. Bij de ontwikkeling werd veel aandacht besteed aan een eenvoudige bediening en een gemakkelijk onderhoud van de transferstoel.

De verwachte levensduur van Uw transferstoel wordt sterk beïnvloed door de verzorging en het onderhoud van de stoel.

Deze handleiding maakt U vertrouwd met de bediening van Uw transferstoel.

Het naleven van de gebruiks- en onderhoudsinstructies vormen een essentieel onderdeel van de garantiebepalingen.

Deze handleiding houdt rekening met de recentste productontwikkelingen. De Firma Vermeiren behoudt zich echter het recht voor om wijzigingen door te voeren zonder verplicht te zijn voordien geleverde modellen aan te passen of te vervangen.

Als U nog vragen hebt, neemt U best contact op met Uw vakhandelaar.

1 Product omschrijving

1.1 Toepassingsgebied

De transferstoel is bedoeld voor mensen die moeilijk kunnen lopen.

De transferstoel is ontworpen voor het transport van 1 persoon.

De transferstoel kan zowel binnenshuis als buiten gebruikt worden.

De transferstoel wordt door een begeleider voortgeduwd.

De verschillende soorten onderdelen en accessoires, en de modulaire constructie, zorgen ervoor dat de transferstoel ten volle kan worden gebruikt door geriatrische personen.

Houd bij de individuele verzorging rekening met:

- grootte en lichaamsgewicht (max. 115 kg)
- fysieke en psychologische gesteldheid
- woonomgeving
- milieu

Uw transferstoel mag alleen gebruikt worden op ondergronden waarbij alle vier de wielen de grond raken en waarbij het bodemcontact voldoende is voor een gelijkmatige aandrijving van alle wielen.

Extra oefening is nodig voor het rijden op ongelijkmatige ondergrond (kasseien, etc.), hellingen en bochten (zijdelings omvallen), evenals het nemen van hindernissen (bvb. Trottoirranden).

De transferstoel dient niet als klimtoestel of om hete of zware voorwerpen te transporteren.

Het gebruik op tapijten, tapijtvloeren of andere losse vloerbedekkingen kan slijtage van de vloerbedekking tot gevolg hebben.


Gebruik enkel door Vermeiren goedgekeurde accessoires.

Vermeiren is niet aansprakelijk voor schade door gebrekkig of onvoldoende onderhoud of als gevolg van het niet naleven van instructies van deze handleiding.

Het naleven van de gebruiks- en onderhoudsinstructies vormen een essentieel onderdeel van de garantiebepalingen.

1.2 Technische specificaties

Onderstaande technische gegevens zijn geldig voor de transferstoel in standaard instellingen. Wanneer er andere voetsteunen / armsteunen of andere accessoires worden gebruikt, worden de opgegeven waarden gewijzigd.

Merk	Vermeiren	
Adres	Vermeirenplein 1/15, B-2920 Kalmthout	
Type	Transferstoel	
Model	Bobby	
Maximale massa gebruiker	115 kg	
		
Beschrijving	Afmetingen	
Effectieve zitbreedte	420 mm	480 mm
Totale breedte (afhankelijk van de zitbreedte)	590 mm	640 mm
Breedte dichtgevouwen	270 mm	
Beschrijving	Afmetingen min.	Afmetingen max.
Totale lengte inclusief voetsteun	950 mm	
Lengte dichtgevouwen zonder voetsteun	740 mm	
Totale hoogte	940 mm	
Hoogte dichtgevouwen	750 mm	
Totaal gewicht	11,00 kg	11,55 kg
Gewicht zwaarste onderdeel	9,40 kg	9,95 kg
Massa van onderdelen die kunnen worden gedemonteerd of verwijderd	Voetsteunen: 1,60 kg	
Statische stabiliteit bergaf	10°	
Statische stabiliteit bergop	10°	
Statische stabiliteit zijwaarts	10°	
Maximum hoogte hindernis	60 mm	
Zithoek	5°	
Effectieve zitdiepte	420 mm	
Zithoogte aan voorzijde	500 mm	
Rughoek	5°	
Rughoogte	380 mm	
Afstand tussen voetplaat en zit	370 mm	500 mm
Hoek tussen zit en voetplaat	-1°	19°
Hoek tussen zit en been van de voetsteun	114°	
Afstand tussen armlegger en zit	220 mm	
Afstand voorzijde armsteun	315 mm	
Diameter aandrijfhoepel	Niet van toepassing	
Horizontale afstand van de as (uitwijking)	21 mm	
Minimale draaicirkel	1500 mm	
Diameter achterwielen	12,5"	
Bandenspanning achter- (aandrijfwielen) (voor luchtbanden)	Niet van toepassing	
Diameter stuurwielen	150 mm	
Bandenspanning stuurwielen (voor luchtbanden)	Niet van toepassing	
Opslag en gebruikstemperatuur	+ 5 °C	+ 41 °C
Opslag en gebruiksluchtvochtigheid	30%	70%
We behouden ons het recht voor om technische wijzigingen te introduceren. Meettolerantie ± 15 mm / 1,5 kg / °		

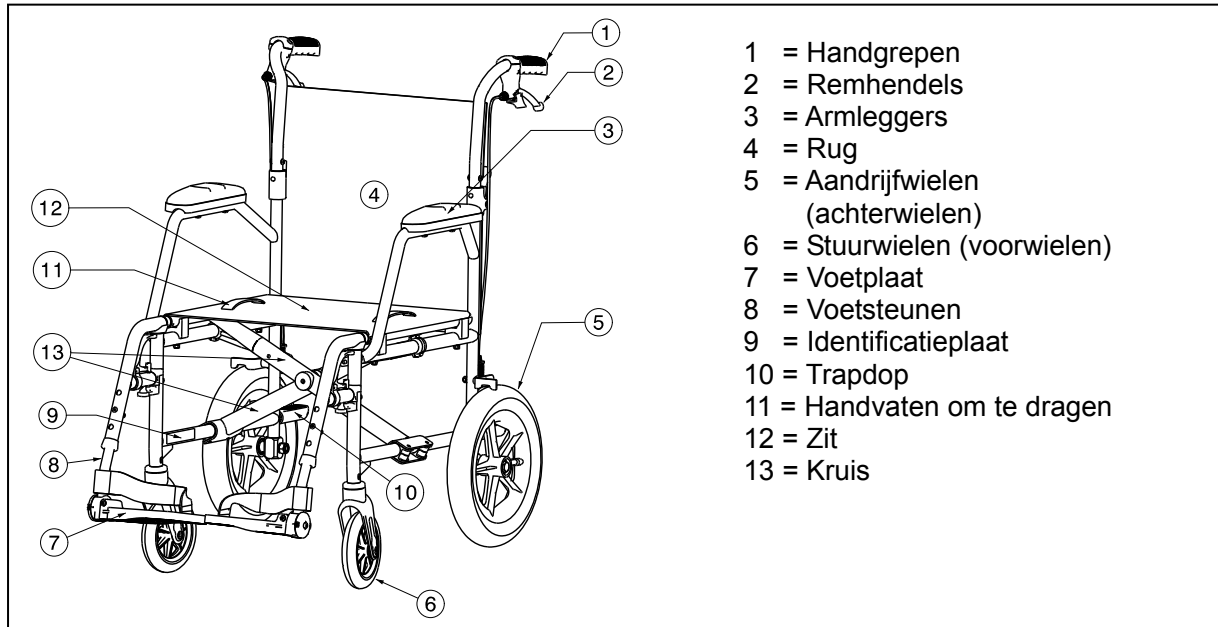
Tabel 1: Technische specificaties Bobby

De transferstoel voldoet aan de eisen gesteld in:

ISO 7176-8: Eisen en beproevingsmethoden voor statische, bots en vermoeiingsproeven.

ISO 7176-16: Weerstand tegen ontbranding van gestoffeerde onderdelen.

1.3 Onderdelen



1.4 Accessoires

Volgende accessoires zijn beschikbaar voor de Bobby:

- Anterior bekkengordel (B20) om te bevestigen aan de buizen van de rug

1.5 Gebruikte symbolen



Maximum gewicht



Gebruik voor binnen en buiten



Maximale veilige helling



CE conformiteit



Type aanduiding



Niet bedoeld om te gebruiken als een zit in een voertuig

1.6 Voor Uw veiligheid

- ⚠ Let erop dat geen voorwerpen en/of lichaamsdelen tussen de aandrijfwielen terechtkomen. Dit kan immers letsel en/of schade aan de transferstoel veroorzaken.
- ⚠ Voor het in- en uitstappen in de transferstoel dient U de remmen vast te zetten.
- ⚠ Gebruik de voetplaten nooit om in en uit de transferstoel te stappen. Deze dient naar boven te worden geklapt of de volledige voetsteunen dienen naar buiten te zijn weggedraaid.
- ⚠ Onderzoek het effect van een veranderd zwaartepunt op het gedrag van de transferstoel (bijv. op hellingen, op zijdelingse hellingen of bij het overwinnen van hindernissen).
- ⚠ Let op bij het nemen van voorwerpen (die zich voor, opzij of achter de transferstoel bevinden) dat U niet te ver uit de transferstoel leunt. Anders kan de rolstoel kantelen.
- ⚠ Bij het rijden door deuren, openingen e.d. moet aan de zijkant voldoende plaats zijn, anders bestaat er gevaar op letsel aan handen en armen en op beschadiging van de transferstoel.
- ⚠ Gebruik Uw transferstoel alleen voor de beschreven doeleinden. Vermijd bijv. om zonder remmen tegen een hindernis te rijden (stoeprand, stootsteen) of van treden te springen. De fabrikant is niet aansprakelijk voor schade als gevolg van overbelasting of botsingen bij het gebruik dat niet in overeenstemming is met het doel van het product.
- ⚠ Trappen mogen alleen met behulp van een begeleider worden genomen. Wanneer er bijv. hellingen of liften beschikbaar zijn, dient U deze te gebruiken.
- ⚠ Bij gebruik van de openbare weg dient U zich te houden aan de verkeersregels.
- ⚠ Net zoals voor andere voertuigen geldt dat U de transferstoel niet mag gebruiken onder invloed van alcohol of geneesmiddelen. Dit geldt ook voor verplaatsingen binnenshuis.
- ⚠ Pas Uw rijstijl bij ritten buiten de woning aan, aan het weer en het verkeer.
- ⚠ Bij het transporteren van de transferstoel mag U deze nooit vastnemen aan beweegbare onderdelen (voetsteunen, enz.).
- ⚠ Zorg ervoor dat U in het donker goed zichtbaar bent. Draag lichte kleding of kleding met reflectoren en zorg ervoor dat de reflectoren opzij en achteraan de transferstoel goed zichtbaar zijn.
- ⚠ Let erop dat de maximale belasting (115 kg) niet wordt overschreden.

2 Gebruik

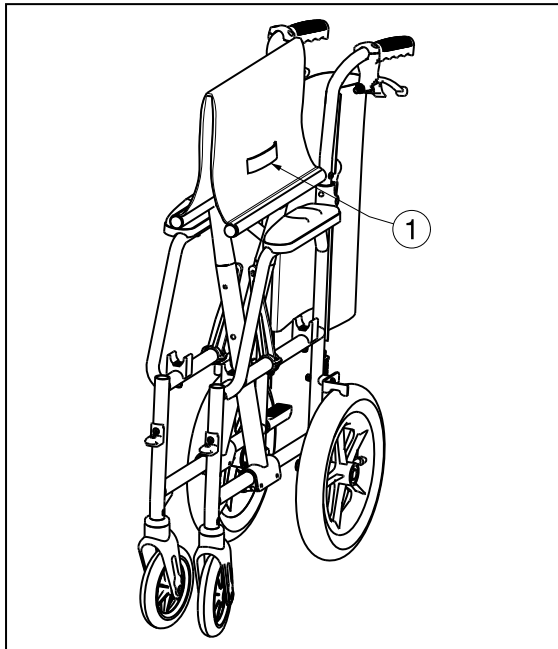
Dit hoofdstuk beschrijft het normaal gebruik. **Deze instructies zijn van toepassing voor de gebruiker en de vakhandelaar.**

De transferstoel wordt gemonteerd en ingesteld door Uw vakhandelaar. De instructies voor de montage en instellingen van de transferstoel staan in § 3.

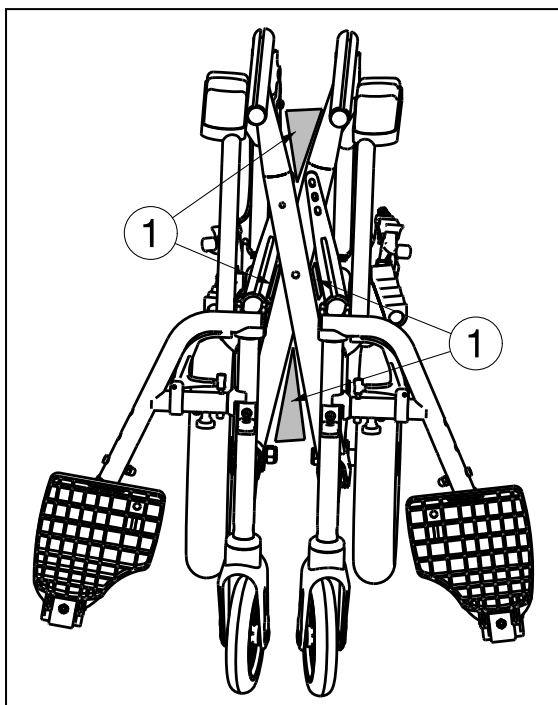
2.1 Dragen van de transferstoel

De beste manier om de transferstoel te dragen is om gebruik te maken van de wielen en zo de transferstoel verder te rollen.

Als dit niet mogelijk is, neemt U het frame aan de voorkant en de handgrepen vast. Gebruik de voet-, armsteunen of de wielen niet om de rolstoel vast te nemen.



Het is ook mogelijk om de transferstoel met de handvaten ① te dragen. Verwijder eerst de voetsteunen, en vouw de transferstoel op. Nu kan U de handvaten ① aan beide kanten vast nemen en de transferstoel naar de gewenste plaats dragen.



2.2 Ontvouwen van de transferstoel

⚠ VOORZICHTIG: Kans op klemmen - Houd Uw vingers weg van de bewegende onderdelen van de transferstoel.

1. Ga aan de achterzijde van de transferstoel staan.
2. Vouw de rug open (zie § 2.5).
3. Gebruik de handgrepen om de transferstoel zo ver mogelijk te openen.
4. Ga aan de voorzijde van de transferstoel staan.
5. Duw beide buizen waaraan de zit bevestigd is verder naar beneden.

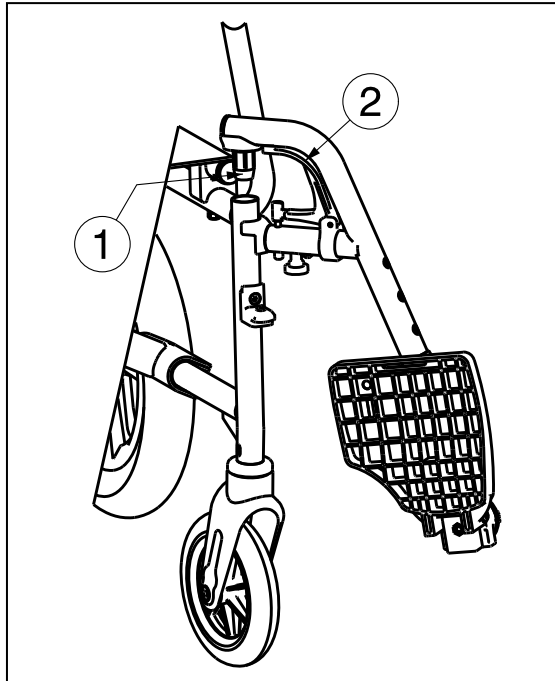
2.3 Opvouwen van de transferstoel

⚠ VOORZICHTIG: Kans op klemmen - Houd Uw vingers niet tussen de onderdelen (knelpuntenzone ①: kruis) van de transferstoel.

1. Klap de voetplaten omhoog, of verwijder de voetsteunen (zie § 2.4).
2. Vouw de rug op (zie § 2.5).
3. Neem de zit aan de voor- en achterzijde vast en trek deze naar boven.

2.4 Plaatsen of verwijderen van de voetsteunen

- ⚠ **WAARSCHUWING:** Gevaar voor letsel – Controleer dat de voetsteunen goed zijn vastgemaakt voor de rolstoel te gebruiken.
- ⚠ **VOORZICHTIG:** Kans op klemmen – Plaats geen voorwerpen of personen in het draaibereik van de voetsteunen.



Het plaatsen van de voetsteun gaat als volgt:

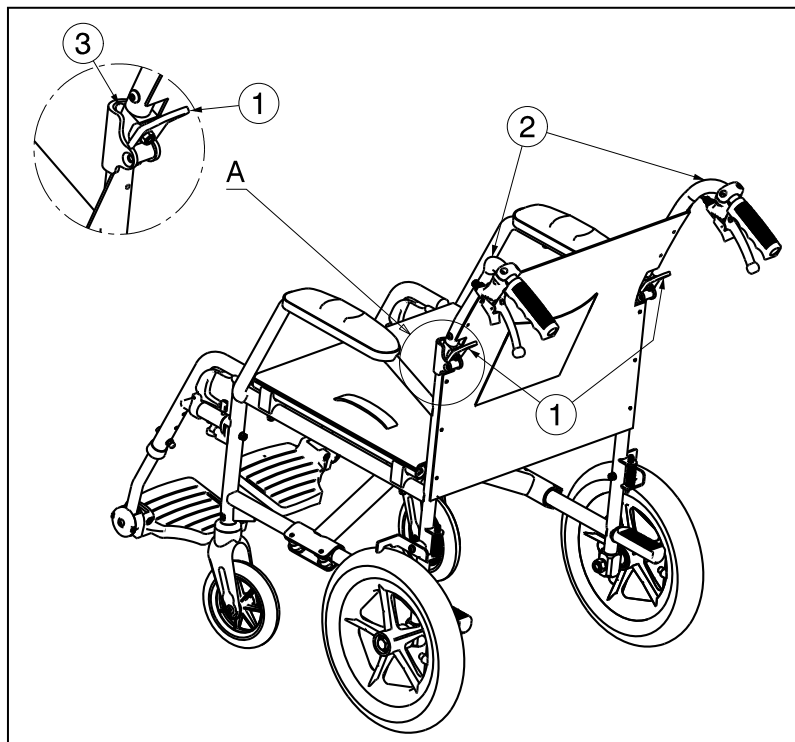
1. Houd de voetsteun zijdelings aan de buitenkant van het frame van de rolstoel en monteer de voetsteun met de dop ① in het frame.
2. Zwenk de voetsteun naar binnen tot deze vastklikt.
3. Draai de voetplaat naar beneden.

Om de voetsteunen te verwijderen gaat U als volgt te werk:

1. Trek hendel ② omhoog.
2. Draai de voetsteun naar buiten tot deze uit de geleiding komt.
3. Trek de voetsteun omhoog uit dop ①.

2.5 Op- / openvouwen van de rug

- ⚠ **WAARSCHUWING:** Gevaar voor letsel – Controleer dat de rug goed is vastgemaakt voor de transferstoel te gebruiken.



Het opvouwen van de rug gaat als volgt:

1. Trek aan de hendels ①, totdat de blokkeerpen ③ uit de boring komt.
2. Trek de bovenste rugbuizen ② naar beneden totdat de rug volledig opgevouwen is.

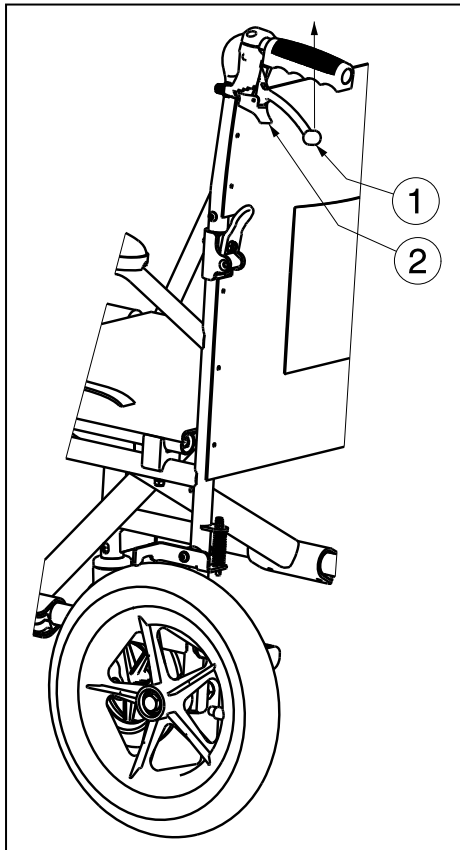
Om de rug open te klappen:

1. Trek de rugbuizen ② naar boven totdat de rug volledig geblokkeerd is.
2. Controleer dat de rug terug goed is vastgemaakt.

2.6 Bedienen van de remmen

- ⚠ **WAARSCHUWING:** De remmen dienen niet om af te remmen tijdens het rijden - Gebruik de rem enkel om te vermijden dat de transferstoel in stilstande positie weggrolt.
- ⚠ **WAARSCHUWING:** De werking van de remmen wordt beïnvloed door slijtage en vervuiling van de banden (water, olie, slijk, ...) – Controleer voor elk gebruik de staat van de banden.
- ⚠ **WAARSCHUWING:** De remmen zijn instelbaar en kunnen verouderen – Controleer voor elk gebruik de goede werking van de remmen.

De remmen kunnen enkel door de begeleider worden geactiveerd.



Vergrendelen van de parkeerremmen:

1. Trek de remhendels ① naar boven.
2. Duw op onderdeel ② om de remmen te blokkeren.

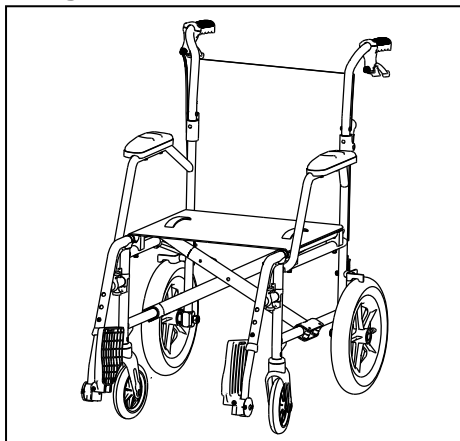
- ⚠ **VOORZICHTIG:** Gevaar op ongecontroleerde bewegingen - Zorg ervoor dat alvorens de remmen los te zetten, de transferstoel vlak staat.

Ontgrendelen van de parkeerremmen:

1. Maak eerst het onderdeel ② los.
2. Laat de remhendels ① los.

2.7 Transfer in en uit de transferstoel

- ⚠ **VOORZICHTIG:** Indien U de transfer niet veilig op eigen kracht kan uitvoeren, vraag dan hulp van iemand anders.
- ⚠ **VOORZICHTIG:** Kans op kantelen van de transferstoel - Niet op de voetplaten gaan staan.



1. Plaats de transferstoel zo dicht mogelijk bij de stoel, zetel of bed van/naar waar U zich wilt verplaatsen.
2. Controleer dat beide remmen (parkeerremmen) van de transferstoel geactiveerd zijn.
3. Vouw de voetplaten naar boven zodat U er niet op gaat staan.
4. Verplaats U van of naar de transferstoel.

2.8 Correcte positie in de transferstoel

Enkele aanbevelingen om comfortabel van Uw transferstoel gebruik te maken:

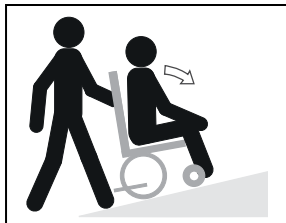
- Plaats Uw zitvlak zo dicht mogelijk bij de rug.
- Zorg dat Uw bovenbenen horizontaal zijn – Stel eventueel de lengte van de voetsteunen bij (zie § 3.4).

2.9 Rijden met de transferstoel

- ⚠ **WAARSCHUWING: Kans op knellen – Let op wanneer U door nauwe doorgangen, zoals deuren, rijdt.**
- ⚠ **WAARSCHUWING: Gevaar voor brandwonden– Wees voorzichtig bij het rijden in extreem warme of koude omgevingen (zon, extreme koude, sauna's, enz.) voor een bepaalde tijd en bij het aanraken - de oppervlakken kunnen de omgevingstemperatuur aannemen.**
- ⚠ **WAARSCHUWING: Gevaar voor letsel – Houd Uw armen steeds in de transferstoel.**
 1. Zet de remmen los.
 2. De begeleider neemt de handgrepen vast.
 3. De begeleider duwt de transferstoel in de gewenste richting.

2.10 Rijden op hellingen

- ⚠ **WAARSCHUWING: Houd Uw snelheid onder controle – Neem hellingen steeds met de laagst mogelijke snelheid.**
- ⚠ **WAARSCHUWING: Houd rekening met de capaciteiten van Uw begeleider – De begeleider moet de rem blokkeren van zodra hij merkt dat hij onvoldoende kracht heeft om de rolstoel onder controle te houden.**
- ⚠ **WAARSCHUWING: Kans op kantelen – Leun voorover om Uw zwaartepunt naar voor te verplaatsen. Zo kan de stabiliteit beter behouden blijven.**

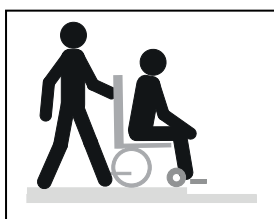


1. Bevestig de veiligheidsgordel, als de transferstoel hiermee uitgerust is.
2. Neem geen te steile helling. De maximale hoek bergop en bergaf staan in tabel 1 vermeld.
3. De begeleider zal U op de helling duwen.
4. Buig lichtjes voorover om Uw zwaartepunt naar voren te verplaatsen.

2.11 Nemen van hindernissen (trottoirs)

2.11.1 Afrijden van trottoirs

Het afrijden van een laag trottoir kan voorwaarts gedaan worden. Let hierbij op dat de voetplaten de grond niet raken.



1. Laat de begeleider de transferstoel lichtjes naar achteren kantelen.
2. Rijd op de achterwielen het trottoir af.
3. Zet de transferstoel terug op de vier wielen.

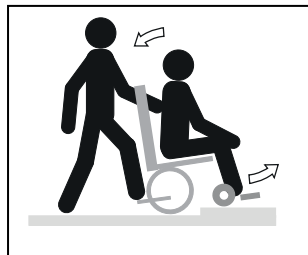


Een hoger trottoir kan best achterwaarts genomen worden:

1. Draai de transferstoel met de achterwielen naar het trottoir toe.
2. Buig lichtjes voorover om Uw zwaartepunt naar voren te verplaatsen.
3. Breng de transferstoel naar de rand van de hindernis.
4. De begeleider trekt U zachtjes op een gecontroleerde manier van het trottoir af.

2.11.2 Oprijden van trottoirs

Trottoirs oprijden kan met de begeleider als volgt:



1. Zorg ervoor dat de voetplaten het trottoir niet raken.
2. Laat de begeleider de transferstoel lichtjes achterover kantelen tot er voldoende ruimte onder de voorwielen is om de hindernis te nemen.
3. Leun een beetje achterover en breng het zwaartepunt boven de achterwielen.
4. Plaats de voorwielen op het trottoir.
5. Laat de transferstoel op de achterwielen over de hindernis duwen.

Een hoger trottoir kan best achterwaarts genomen worden:

1. Draai de transferstoel met de achterwielen naar het trottoir toe.
2. Leun een beetje achterover en breng het zwaartepunt boven de achterwielen.
3. Laat de begeleider de transferstoel op het trottoir trekken.
4. Neem Uw normale positie in de transferstoel terug aan.

2.11.3 Nemen van trappen

Neem nooit een roltrap.

Het nemen van trappen terwijl U in de transferstoel zit doet U als volgt.

⚠ WAARSCHUWING: Kantelgevaar – Voor het nemen van trappen zijn altijd 2 begeleiders nodig.

1. Verwijder de voetsteunen.
2. Laat één begeleider de transferstoel lichtjes naar achteren kantelen.
3. De andere begeleider neemt het frame aan de voorzijde vast.
4. Blijf rustig zitten, vermijd plotselinge bewegingen en houd Uw armen binnen de transferstoel.
5. Laat de transferstoel op de achterwielen de treden nemen.
6. Monteer de voetsteunen na de hindernis.

2.12 Transport in de auto

⚠ GEVAAR: Gevaar voor letsel – De transferstoel is niet geschikt om te gebruiken als een zit in een motorvoertuig.

⚠ WAARSCHUWING: Gevaar voor letsel – Zorg ervoor dat de transferstoel voldoende vastgemaakt is, om verwonding van de inzittenden tijdens aanrijding of plots remmen te voorkomen.

⚠ WAARSCHUWING: Gevaar voor letsel – Gebruik voor het vastmaken van de transferstoel en de passagiers NOOIT dezelfde gordel.

Gebruik de transferstoel nooit als een zit in een auto of ander voertuig. De transferstoel wordt gemarkeerd met het volgende symbool:



Om de transferstoel in de auto te transporteren:

1. Verwijder de voetsteunen en accessoires.
2. Berg deze veilig op.
3. Vouwen de transferstoel op.
4. Plaats de transferstoel in de bagageruimte.
5. Indien de transferstoel en de passagiersruimte NIET gescheiden zijn, sjoer het frame van de transferstoel goed vast aan het voertuig. U kunt hiervoor gebruik maken van de veiligheidsgordels die in het voertuig aanwezig zijn.

3 Montage en instellingen

De in dit hoofdstuk beschreven instructies zijn bestemd voor de vakhandelaar.

De Vermeiren transferstoelen Bobby zijn voor ontworpen voor korte afstanden en gemakkelijke transfers.

Om een servicepunt of vakhandelaar in Uw buurt te vinden, neemt U contact op met de dichtstbijzijnde Vermeiren faciliteit. Een lijst van de Vermeiren faciliteiten zijn terug te vinden op de laatste bladzijde.

- ⚠ **WAARSCHUWING: Risico bij onveilige instellingen - Gebruik enkel de instellingen beschreven in deze handleiding.**
- ⚠ **WAARSCHUWING: Variaties van de toelaatbare instellingen kunnen de stabiliteit van Uw transferstoel beïnvloeden (naar achteren of op zij kantelen).**

3.1 Gereedschap

Om Uw transferstoel op te bouwen is het volgende gereedschap nodig:

- Steek-/ringsleutel set n° 10
- Inbussleutel set n° 4

3.2 Leveringsomvang

De Vermeiren Bobby wordt als volgt geleverd:

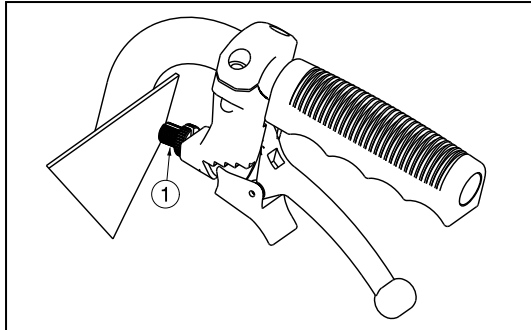
- 1 frame gemonteerd met armsteunen, achter- en voorwielen
- 1 paar voetsteunen
- Handgrepen + Remhendels
- Rug en zitkussen
- Gereedschap
- Handleiding
- Accessoires (optioneel)

Controleer vóór gebruik of alles is meegeleverd en er geen producten zijn beschadigd (tijdens het transport bijvoorbeeld...).

3.3 Afstellen van de remmen

⚠ WAARSCHUWING: Gevaar voor letsel – Laat de remmen afstellen door een erkend vakhandelaar.

Het afstellen van de remmen doet U als volgt:

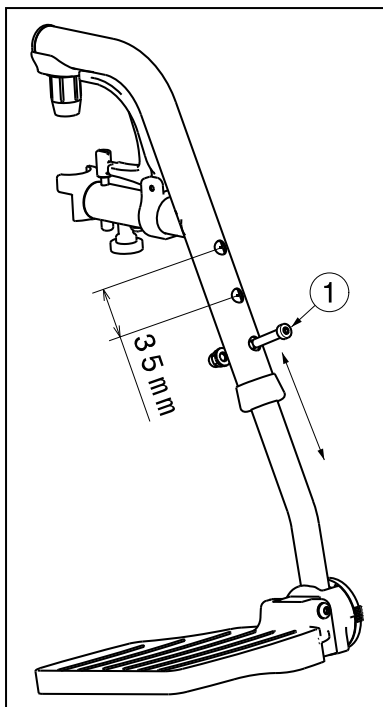


1. Draai aan onderdeel ① om de spanning van de remmen in te stellen.
2. Controleer de werking van de remmen.
3. Indien nodig kan U het draaien aan onderdeel ① herhalen tot de remmen goed afgesteld staan.

3.4 Instellen van de voetsteun

3.4.1 Lengte van de voetsteun

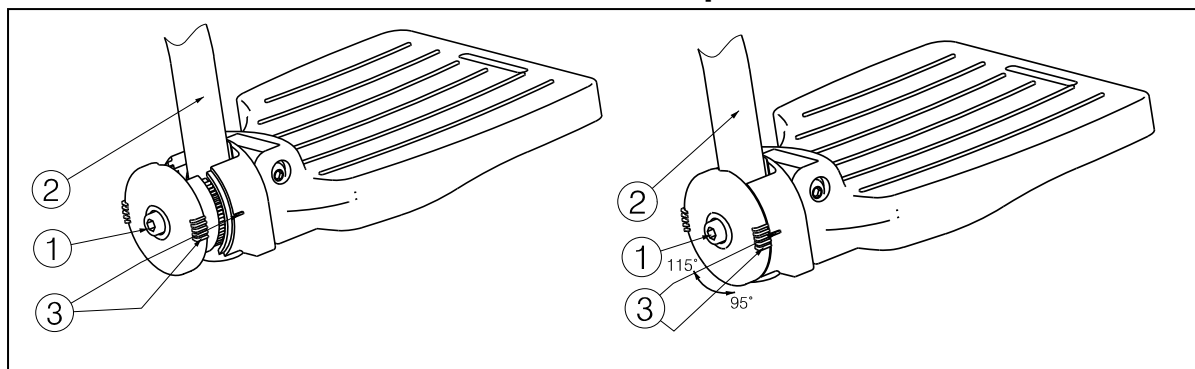
⚠ VOORZICHTIG: Zorg er voor dat de voetplaten niet over de grond slepen. Houd een minimum afstand van 60 mm tot de grond aan.



Stel de lengte van de voetsteun als volgt in (3 mogelijke posities: stappen van 35 mm → boringen op de buitenste buis, 6 mogelijke posities: stappen van 25 mm → binnenste buis):

1. Verwijder de schroef ①.
2. Stel de lengte van de voetsteun op een comfortabele lengte in.
3. Draai de schroef ① goed vast.

3.4.2 Afstellen van de hoek van de voetplaten



Om de hoek van de voetplaten te verstellen gaat U als volgt te werk:

1. Draai bout ① los.
2. Verstel de buis ② in de gewenste hoek. De aanduiding van de hoek(95°-100°-105°-110°-115°) wordt aangegeven door de streepjes ③.
3. Maak de bout ① terug vast.

4 Onderhoud

Voor de onderhoudshandleiding van de transferstoelen kan U de website van Vermeiren raadplegen: www.vermeiren.be.



Inhalt

Vorwort	2
1 Produkt beschreibung	3
1.1 Verwendungszweck	3
1.2 Technische Daten	4
1.3 Bauteile.....	5
1.4 Zubehör	5
1.5 Zeichenerklärung.....	5
1.6 Für Ihre Sicherheit.....	6
2 Verwendung	6
2.1 Transportieren des Transportrollstuhls	7
2.2 Auseinanderklappen des Transportrollstuhls	7
2.3 Zusammenklappen des Transportrollstuhls	7
2.4 An- oder Abbauen der Fußauflagen	8
2.5 Zusammen-/Auseinanderklappen der Rücken	8
2.6 Betätigen der Bremsen	9
2.7 Einsteigen in den und Aussteigen aus dem Transportrollstuhl.....	9
2.8 Prüfen Sie, ob die Sitzposition korrekt ist.....	10
2.9 Fahren im Transportrollstuhl	10
2.10 Fortbewegen an Steigungen	10
2.11 Überwinden von Stufen und Bordsteinen	10
2.12 Transport in einem Kraftfahrzeug	12
3 Zusammenbau und Einstellung	12
3.1 Werkzeuge	12
3.2 Lieferumfang	13
3.3 Anpassen der Bremsen	13
3.4 Einstellen der Fußauflagen.....	13
4 Wartung	14



Vorwort

Zuerst möchten wir uns für das Vertrauen bedanken, das Sie in uns gesetzt haben, indem Sie sich für einen unserer Transportrollstühle entschieden haben.

Die Vermeiren-Transportrollstühle sind das Ergebnis langjähriger Forschung und Erfahrung. Bei der Entwicklung achten wir besonders auf die Benutzerfreundlichkeit und die Wartungsfreundlichkeit unserer Stühle.

Die zu erwartende Lebensdauer Ihres Transportrollstühle hängt im Wesentlichen von der Wartung und Pflege ab, die für die Transportrollstühle aufgewendet wird.

Diese Bedienungsanleitung soll Ihnen helfen, sich mit der Benutzung Ihres Transportrollstühle vertraut zu machen.

Das Befolgen der Bedienungsanleitung und der Wartungshinweises bildet einen wesentlichen Teil der Gewährleistungsbedingungen.

Diese Bedienungsanleitung spiegelt die neuesten Produktentwicklungen wider. Das Unternehmen Vermeiren behält sich jedoch das Recht vor, Änderungen vorzunehmen. Dabei besteht keine Verpflichtung, die früher ausgelieferten Modelle anzupassen oder zu ersetzen.

Sollten Sie weitere Fragen haben, so wenden Sie sich bitte an Ihren Fachhändler.

1 Produkt beschreibung

1.1 Verwendungszweck

Der Transportrollstuhl ist für gehbehinderte Menschen vorgesehen.

Dieses Transportrollstuhl ist für die Verwendung durch eine Person ausgelegt.

Der Transportrollstuhl kann sowohl im Innen- als auch im Außenbereich eingesetzt werden.

Der Transportrollstuhl muss von einem Helfer geschoben werden.

Die Vielfalt an Ausstattungs- und Zubehörvarianten sowie die modulare Bauweise erlauben die Nutzung durch ältere Menschen.

Bei der individuellen Versorgung sind außerdem:

- Körpergröße und -gewicht (max. 115 kg)
- Körperlicher und geistiger Zustand
- Wohnverhältnisse
- Umgebung

zu beachten.

Ihr Stuhl darf nur auf Flächen verwendet werden, auf denen alle vier Räder den Boden berühren und ausreichend Kontakt vorhanden ist, um die Räder gleichmäßig anzutreiben.

Die Verwendung des Transportrollstühle auf unebenen Flächen (Pflastersteinen usw.), Abhängen, Kurven sowie das Umfahren von Hindernissen (Bordsteinen usw.) muss geübt werden.

Der Transportrollstuhl darf nicht als Leiter oder als Transportmittel für schwere oder heiße Objekte verwendet werden.

Wird der Lifter auf Matten, Auslegeware oder Teppichböden verwendet, könnten diese Bodenbeläge beschädigt werden.


Verwenden Sie ausschließlich von Vermeiren genehmigtes Zubehör.

Für Schäden durch nicht oder mangelhaft durchgeführte Wartung oder durch Nichtbeachtung der folgenden Anweisungen übernimmt der Hersteller keine Haftung.

Das Befolgen der Bedienungsanleitung und der Wartungshinweise bildet einen wesentlichen Teil der Garantiebedingungen.

1.2 Technische Daten

Die im Folgenden aufgeführten technischen Daten gelten für einen Transportrollstuhl in der Standardkonfiguration. Wurden eine Fußauflagen und/oder eine Armlehnen oder anderes Zubehör montiert, ändern sich die in der Tabelle aufgeführten Werte.

Hersteller	Vermeiren	
Adresse	Vermeirenplein 1/15, B-2920 Kalmthout	
Typ	Transportrollstuhl 	
Modell	Bobby	
Max. zulässiges Gewicht des Rollstuhlfahrers	115 kg	
Beschreibung	Abmessungen	
Effektive Sitzbreite	420 mm	480 mm
Gesamtbreite (abhängig von der Sitzbreite)	590 mm	640 mm
Breite zusammengeklappt	270 mm	
Beschreibung	Abmessungen Min.	Abmessungen Max.
Gesamtlänge mit Beinstützen	950 mm	
Länge zusammengeklappt (ohne Fußauflage)	740 mm	
Gesamthöhe	940 mm	
Höhe zusammengeklappt	750 mm	
Gesamtgewicht	11,00 kg	11,55 kg
Gewicht des schwersten Teils	9,40 kg	9,95 kg
Gewichte von Teilen, die demontierbar oder abnehmbar sind	Fußauflagen: 1,60 kg	
Statische Stabilität, bergab	10°	
Statische Stabilität, bergauf	10°	
Statische Stabilität, seitwärts	10°	
Überfahren von Hindernissen	60 mm	
Winkel der Sitzfläche	5°	
Effektive Sitztiefe	420 mm	
Höhe der Sitzoberfläche an der Vorderkante	500 mm	
Rückenlehnenwinkel	5°	
Rückenlehnenhöhe	380 mm	
Abstand zwischen Fußplatte und Sitz	370 mm	500 mm
Winkel zwischen Sitz und Fußplatte	-1°	19°
Winkel zwischen Sitz und Bein- oder Fußauflage	114°	
Abstand zwischen Armpolster und Sitz	220 mm	
Länge der Armlehne zur Unterfahrbarkeit	315 mm	
Greifreifendurchmesser	Nicht zutreffend	
Horizontale Lage der Achse (Deflektion)	21 mm	
Kleinster Wenderadius	1500 mm	
Durchmesser der Hinterräder	12,5"	
Reifendruck, Hinterräder (Antriebsräder) (bei Luftreifen)	Nicht zutreffend	
Durchmesser der Lenkräder	150 mm	
Reifendruck, Lenkräder (Antriebsräder) (bei Luftreifen)	Nicht zutreffend	
Temperaturbereich für Lagerung und Nutzung	5 °C	+41 °C
Luftfeuchtigkeitsbereich für Lagerung und Nutzung	30%	70%

Technische Änderungen vorbehalten. Messtoleranzen ± 15 mm / 1,5 kg / °

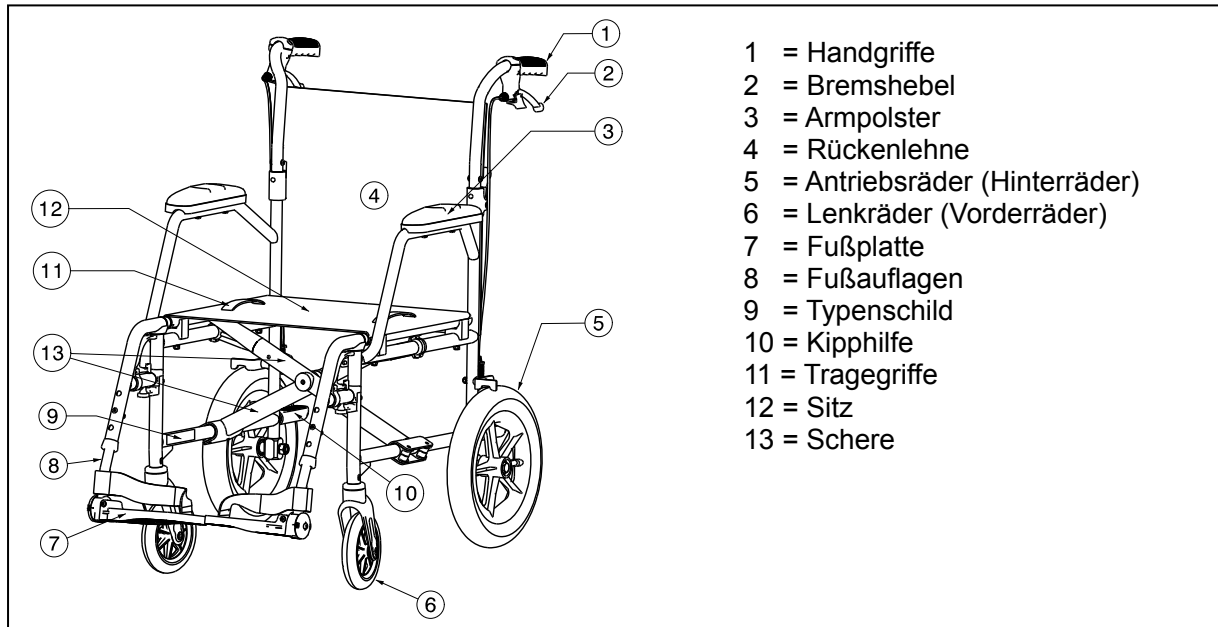
Tabelle 1: Technische Daten Bobby

Der Transportrollstuhl entspricht den Anforderungen der folgenden Normen:

ISO 7176-8: Anforderungen und Prüfungen für statische Festigkeit, Stoßfestigkeit und Dauerfestigkeit.

ISO 7176-16: Beständigkeit gegen Entzündung von gepolsterten Teilen

1.3 Bauteile



1.4 Zubehör

Für den Bobby ist das folgende Zubehör erhältlich:

- Vorderer Beckengurt (B20) zur Befestigung über das Rückenlehnenrohr

1.5 Zeichenerklärung



Max. zulässiges Gewicht



Innen- und Außenbereich



Maximale, sichere Steigung



CE-Konformität



Typenbezeichnung



Nicht zur Verwendung als Sitz in einem Motorfahrzeug geeignet



1.6 Für Ihre Sicherheit

- ⚠ Achten Sie darauf, dass keine Gegenstände und/oder Körperteile in die Antriebsräder hineinragen, da sonst Verletzungen und/oder Beschädigungen an Ihrem Transportrollstuhl auftreten können.
- ⚠ Vor dem Ein-/Aussteigen in den/aus dem Transportrollstuhl sind die Feststellbremsen zu betätigen.
- ⚠ Steigen Sie beim Ein-/Aussteigen in den/aus dem Transportrollstuhl nicht auf die Fußplatten. Diese sind vorher nach oben zu klappen oder die ganze Fußauflagen nach außen abzuschwenken.
- ⚠ Erforschen Sie die Auswirkungen von Schwerpunktverlagerungen auf das Verhalten des Transportrollstuhles, zum Beispiel auf Gefällestrecken, Steigungen, seitlichen Neigungen oder beim Überwinden von Hindernissen.
- ⚠ Achten Sie beim Ergreifen von Gegenständen (die vor, seitlich oder hinter dem Transportrollstuhl liegen) darauf, dass Sie sich nicht zu weit aus dem Rollstuhl lehnen, da durch Schwerpunktverlagerung eine Kippgefahr besteht.
- ⚠ Bei Durchfahrten von Türen, Bögen usw. muss seitlich ausreichend Platz vorhanden sein, da sonst Quetschgefahr für Ihre Hände/Arme besteht und Schäden am Transportrollstuhl entstehen.
- ⚠ Setzen Sie Ihren Transportrollstuhl nur bestimmungsgemäß ein. Vermeiden Sie z.B. ein ungebremstes Fahren gegen ein Hindernis (Stufe, Bordsteinkante, Türzarge usw.) oder Herunterspringen von Absätzen. Für Schäden, die durch Kollision, Überlast oder andere, nicht bestimmungsgemäße Nutzung entstehen, haftet der Hersteller nicht.
- ⚠ Treppen dürfen nur mit Hilfe von Begleitpersonen überwunden werden. Sind dafür Einrichtungen, wie z.B. Auffahrrampen oder Aufzüge vorhanden, sind diese zu nutzen.
- ⚠ Sie unterliegen bei Fahrten im öffentlichen Straßenverkehr der Straßenverkehrsordnung.
- ⚠ Wie auch beim Führen anderer Fahrzeuge sollten Sie mit Ihrem Transportrollstuhl nicht unter Alkoholeinfluss oder Medikamenteneinwirkung stehen. Dies gilt auch für Fahrten in Innenräumen.
- ⚠ Stellen Sie Ihr Fahrverhalten bei Fahrten außerhalb der Wohnung auf die gegebenen Witterungs- und Straßenverhältnisse ein.
- ⚠ Zum Transport des Transportrollstuhles diesen nie an beweglichen Teilen (Fußauflagen etc.) fassen, sondern nur an festen Rahmenteilen.
- ⚠ Tragen Sie zum "Besser-Gesehen-Werden" im Dunkeln möglichst helle Kleidung oder Kleidung mit Reflektoren und achten Sie darauf, dass die seitlich und rückwärtig am Transportrollstuhl angebrachten Reflektoren gut sichtbar sind.
- ⚠ Achten sie darauf, dass die maximale Belastung (115 kg) nicht überschritten wird.

2 Verwendung

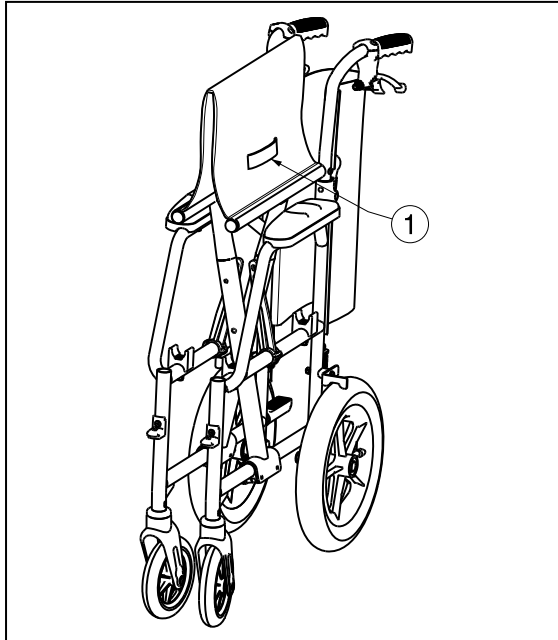
In diesem Kapitel wird die tägliche Verwendung beschrieben. **Diese Anweisungen richten sich an den Benutzer und den Fachhändler.**

Die Transportrollstuhl wird Ihnen vollständig aufgebaut von Ihrem Fachhändler geliefert. Anweisungen für den Fachhändler, wie der Transportrollstuhl zusammengesetzt und eingerichtet wird, befinden sich in § 3.

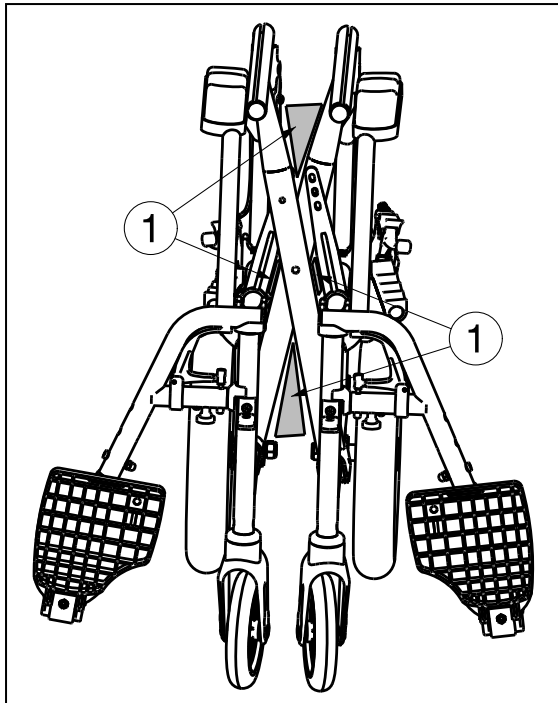
2.1 Transportieren des Transportrollstuhls

Am besten lässt sich der Transportrollstuhl transportieren, indem er mithilfe der Räder geschoben wird.

Falls dies nicht möglich ist, fassen Sie den Rahmen vorne und an den Griffen fest an. Tragen Sie den Transportrollstuhl nicht an den Fußauflagen oder Armstützen bzw. an den Rädern.



Sie können den Transportrollstuhl auch an den Handgriffen ① tragen. Entfernen Sie zunächst die Fußauflagen und klappen Sie den Transportrollstuhl zusammen. Jetzt können Sie die Handgriffe ① an beiden Seiten nutzen und den Transportrollstuhl an den gewünschten Ort tragen.



2.2 Auseinanderklappen des Transportrollstuhls

⚠ VORSICHT: Klemmgefahr – Halten Sie Ihre Finger fern von sich bewegenden Teilen des Transportrollstuhls.

1. Stellen Sie sich auf die Rückseite des Transportrollstuhls.
2. Klappen Sie die Rückenlehne hoch (siehe § 2.5).
3. Nutzen Sie die Schiebegriffe, um den Transportrollstuhl so weit wie möglich zu öffnen.
4. Stellen Sie sich auf die Vorderseite des Transportrollstuhls.
5. Drücken Sie die beiden Holme, an denen der Sitz befestigt ist, weiter nach unten.

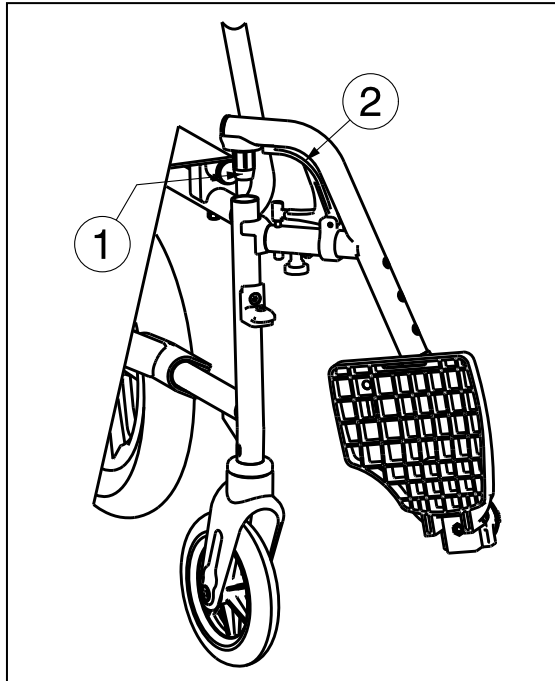
2.3 Zusammenklappen des Transportrollstuhls

⚠ VORSICHT: Klemmgefahr! Achten Sie darauf, dass Ihre Finger nicht zwischen die Transportrollstuhlkomponenten (Zonen mit Einklemmgefahr ①: Schere) gelangen.

1. Klappen Sie die Fußplatten hoch oder nehmen Sie die Fußauflagen ab (siehe § 2.4).
2. Klappen Sie die Rücken ein. (siehe § 2.5).
3. Fassen Sie den Sitz an der Vorder- und Hinterseite an, und ziehen Sie ihn nach oben.

2.4 An- oder Abbauen der Fußauflagen

- ⚠ **WARNUNG:** Verletzungsgefahr – Achten Sie darauf, dass die Fußauflagen vor Gebrauch des Rollstuhls fest arretiert sind.
- ⚠ **VORSICHT:** Quetschgefahr – Halten Sie Objekte und Personen vom Schwenkbereich der Fußauflagen fern.



Die Fußplatte wird wie folgt montiert:

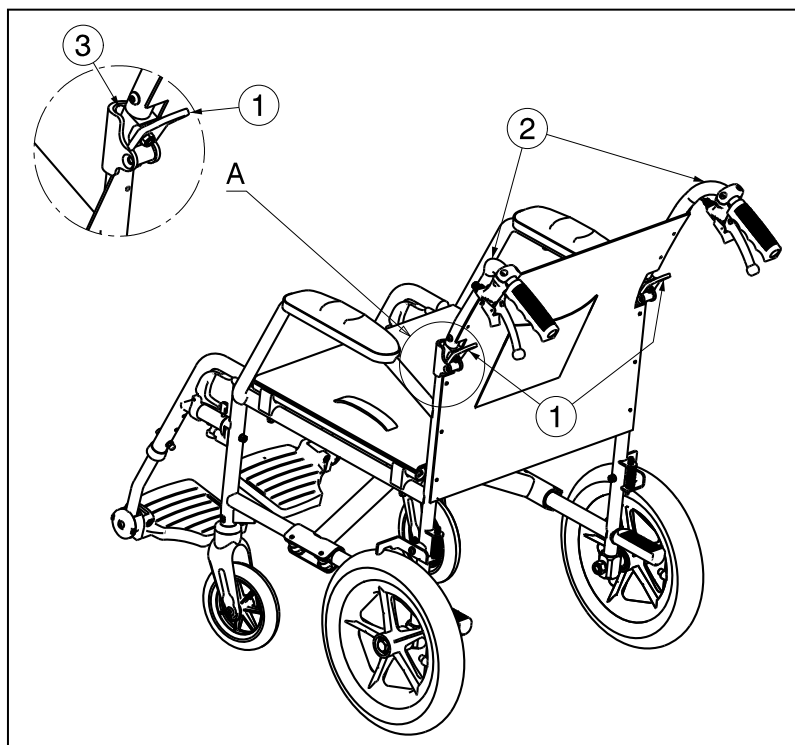
1. Halten Sie die Fußauflage seitlich an die Außenseite des Rollstuhlr Rahmens und stecken Sie den Zapfen ① in den Rahmen.
2. Drehen Sie die Beinstützen nach innen bis diese einrasten.
3. Drücken Sie die Fußplatte nach unten.

So bauen Sie die Fußauflagen ab:

1. Ziehen Sie am Hebel ②.
2. Schwenken Sie die Fußauflage an die Außenseite des Rollstuhls, bis sie sich aus der Führung löst.
3. Ziehen Sie die Fußauflage mit dem Zapfen aus dem Rahmen ①.

2.5 Zusammen-/Auseinanderklappen der Rücken

- ⚠ **WARNUNG:** Verletzungsgefahr – Achten Sie darauf, dass die Rücken vor Gebrauch des Stuhls fest arretiert sind.



So klappen Sie die Rückenlehne zusammen:

1. Ziehen Sie an den Hebeln ①, bis der Stift ③ aus dem Loch gezogen ist.
2. Ziehen Sie die oberen Rückenlehnenstangen ② nach unten, bis die Rückenlehne komplett zusammengeklappt ist.

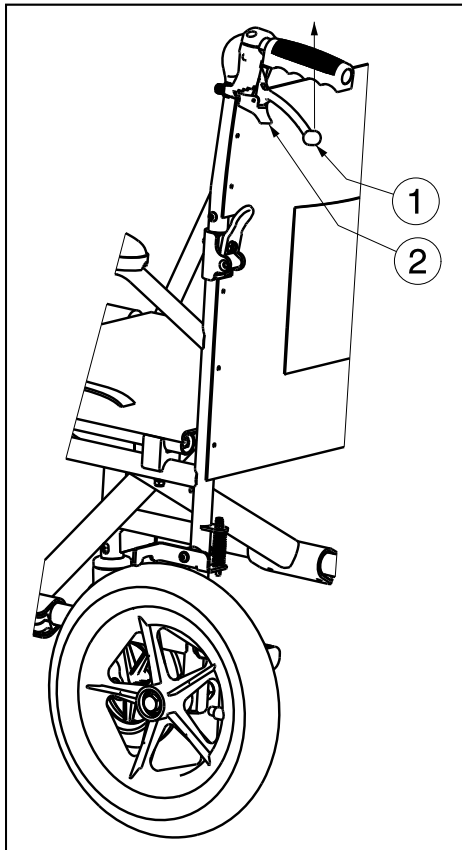
So klappen Sie die Rückenlehne auseinander:

1. Ziehen Sie die Rückenlehnenstangen ② nach oben, bis sich die Rückenlehne in der korrekten Position befindet.
2. Vergewissern Sie sich, dass die Rückenlehne eingerastet ist.

2.6 Betätigen der Bremsen

- ⚠ **WARNUNG:** Die Bremsen dienen nicht dazu, die Bewegung des Transportrollstuhls abzubremsen – sie dienen ausschließlich dazu, unbeabsichtigte Bewegungen des Transportrollstuhls zu verhindern.
- ⚠ **WARNUNG:** Die ordnungsgemäße Funktion der Bremsen kann durch Verschleiß oder Schmutz (auch Wasser, Öl, Schlamm usw.) beeinträchtigt werden. Überprüfen Sie daher vor jeder Rollstuhlnutzung den Zustand der Reifen.
- ⚠ **WARNUNG:** Die Bremsen sind einstellbar und können verschleißen. Überprüfen Sie daher vor jeder Rollstuhlnutzung den Zustand der Bremsen.

Die Bremsen können nur vom Helfer betätigt werden.



So aktivieren Sie die Parkbremsen:

1. Ziehen Sie die Bremshebel ① nach oben.
2. Drücken Sie Teil ②, um die Bremsen zu blockieren.

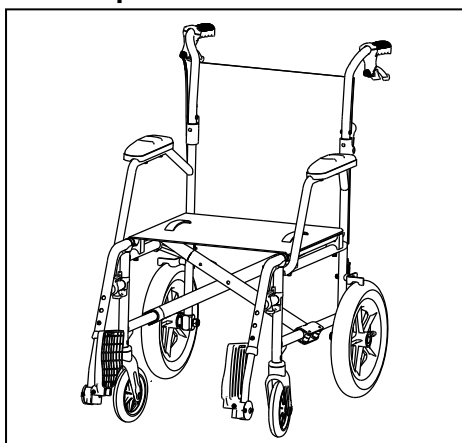
- ⚠ **VORSICHT:** Gefahr einer unbeabsichtigten Bewegung. Achten Sie darauf, dass der Transportrollstuhl auf einer flachen, horizontalen Fläche steht, bevor Sie die Bremsen lösen.

So deaktivieren Sie die Parkbremsen:

1. Lösen Sie zunächst Teil ②.
2. Lösen Sie die Bremshebel ①.

2.7 Einsteigen in den und Aussteigen aus dem Transportrollstuhl

- ⚠ **VORSICHT:** Falls Sie sich nicht allein sicher in den Rollstuhl oder aus diesem heraus umsetzen können, bitten Sie jemanden um Hilfe.
- ⚠ **VORSICHT:** Kippgefahr des Transportrollstuhls – Stellen Sie sich nicht auf die Fußplatten.



1. Positionieren Sie den Transportrollstuhl so nah wie möglich an den Stuhl, die Couch oder das Bett, zu dem bzw. von dem das Umsetzen vorgenommen werden soll.
2. Vergewissern Sie sich, dass beide Bremsen (Parkbremsen) des Transportrollstuhls aktiviert sind.
3. Klappen Sie die Fußplatten nach oben, damit Sie sich nicht versehentlich darauf stellen.
4. Setzen Sie sich in den Transportrollstuhl.

2.8 Prüfen Sie, ob die Sitzposition korrekt ist

Einige Empfehlungen für die komfortable Verwendung des Transportrollstuhles:

- Setzen Sie sich möglichst weit nach hinten, so dass Ihr Rücken an der Rückenlehne anliegt.
- Achten Sie darauf, dass Ihre Oberschenkel möglichst horizontal stehen. Gegebenenfalls müssen Sie die Länge der Beinstützen einstellen (siehe § 3.4).

2.9 Fahren im Transportrollstuhl

- ⚠ **WARNUNG: Klemmgefahr: Seien Sie in engen Durchfahren (z. B. Türen) vorsichtig.**
- ⚠ **WARNUNG: Verletzungsgefahr – Achten Sie darauf, dass Sie das Gerät keinen extremen Temperaturen aussetzen (Sonnenschein, extreme Kälte, Sauna etc.), da sich die verwendeten Materialien den Umgebungstemperaturen angleichen, was bei Berührung zu Verletzungen führen kann - Umgebungstemperaturen können Oberflächen verändern.**
- ⚠ **WARNUNG: Verletzungsgefahr – Achten Sie darauf, dass sich Ihre Arme immer im Transportrollstuhl befinden.**
 1. Lösen Sie die Bremsen.
 2. Der Helfer nutzt die Handgriffe.
 3. Der Helfer schiebt den Transportrollstuhl an den gewünschten Ort.

2.10 Fortbewegen an Steigungen

- ⚠ **WARNUNG: Kontrollieren Sie Ihre Geschwindigkeit – Bewegen Sie sich an Steigungen so langsam wie möglich.**
- ⚠ **WARNUNG: Berücksichtigen Sie die Kräfte Ihres Helfers. Wenn der Helfer nicht stark genug ist, um den Transportrollstuhl zu kontrollieren, muss er die Bremsen betätigen.**
- ⚠ **WARNUNG: Kippgefahr – Lehnen Sie sich nach vorn, um Ihren Schwerpunkt nach vorne zu verlagern. So sorgen Sie für bessere Stabilität.**

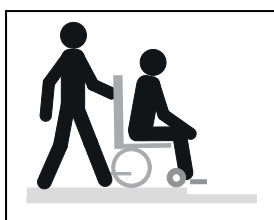


1. Falls Ihr Transportrollstuhl mit einem Sicherheitsgurt ausgestattet ist, sollten Sie ihn stets anlegen.
2. Versuchen Sie nicht, zu steile Steigungen hinauf zu fahren. Die maximalen Steigungswinkel (bergauf und bergab) sind Tabelle 1 zu entnehmen.
3. Der Helfer schiebt Sie über die Steigung.
4. Lehnen Sie sich nach vorn, um Ihren Schwerpunkt nach vorne zu verlagern.

2.11 Überwinden von Stufen und Bordsteinen

2.11.1 Hinunterfahren von Stufen und Bordsteinen

Stufen und Bordsteine können vorwärts überwunden werden. Achten Sie darauf, dass die Fußplatten den Boden nicht berühren.



1. Bitten Sie den Helfer, den Transportrollstuhl etwas nach hinten zu kippen.
2. Fahren Sie den Bordstein hinunter, während Sie die Hinterräder bewegen.
3. Setzen Sie den Rollstuhl wieder auf alle vier Räder.



Höhere Bordsteine lassen sich am besten rückwärts überwinden.

1. Drehen Sie den Rollstuhl so, dass die Hinterräder zum Bordsteine weisen.
2. Lehnen Sie sich nach vorn, um Ihren Schwerpunkt nach vorne zu verlagern.
3. Schieben Sie den Transportrollstuhl dicht an den Bordstein heran.
4. Der Helfer zieht Sie vorsichtig und kontrolliert über den Bordstein.

2.11.2 Hinauffahren von Stufen und Bordsteinen

So überwinden Sie Stufen oder Bordsteine mit einem Helfer:



1. Achten Sie darauf, dass die Fußplatten den Bordstein nicht berühren.
2. Bitten Sie den Helfer, den Transportrollstuhl gerade so weit nach hinten zu kippen, dass die Vorderräder über dem Bordstein stehen.
3. Lehnen Sie sich nach hinten, um Ihren Schwerpunkt nach hinten über die Hinterräder zu verlagern.
4. Setzen Sie die Vorderräder auf den Bordstein.
5. Rollen Sie die Hinterräder des Transportrollstuhls über den Bordstein.

Höhere Bordsteine können Sie rückwärts überwinden:

1. Drehen Sie den Transportrollstuhl so, dass die Hinterräder zum Bordsteine weisen.
2. Lehnen Sie sich nach hinten, und bringen Sie den Schwerpunkt über die Hinterräder.
3. Bitten Sie die Begleitperson, den Transportrollstuhl über den Bordstein zu ziehen.
4. Nehmen Sie wieder die normale Position auf dem Transportrollstuhl ein.

2.11.3 Überwinden von Treppen

Begeben Sie sich mit dem Rollstuhl nie auf eine Rolltreppe.

Auch eine Treppe kann mit einem Rollstuhl überwunden werden, wenn die folgenden Regeln beachtet werden:

⚠️ WARNUNG: Kippgefahr – Treppen sollten immer mit zwei Helfern überwunden werden.

1. Bauern Sie die Fußauflagen ab.
2. Ein Helfer kippt den Transportrollstuhl etwas nach hinten.
3. Der zweite Helfer fasst den Rollstuhl am vorderen Rahmen.
4. Bleiben Sie ruhig, vermeiden Sie plötzliche Bewegungen, und halten Sie die Arme am Körper.
5. Überwinden Sie die Stufen mit den Hinterräder des Transportrollstuhls.
6. Bauen Sie die Fußauflagen nach dem Überwinden der Treppe wieder am Transportrollstuhl an.

2.12 Transport in einem Kraftfahrzeug

- ⚠ **GEFAHR:** Verletzungsgefahr - Der Transportrollstuhl darf nicht als Sitz in einem Kraftfahrzeug genutzt werden.
- ⚠ **WARNUNG:** Verletzungsgefahr – Achten Sie darauf, den Transportrollstuhl ordnungsgemäß zu befestigen. So vermeiden Sie Verletzungen der Fahrzeuginsassen bei einer Kollision oder einem plötzlichen Bremsmanöver.
- ⚠ **WARNUNG:** Verletzungsgefahr – Verwenden Sie zum Sichern des Transportrollstuhls und des Fahrzeuginsassens **NIEMALS** den gleichen Sicherheitsgurt.

Der Transportrollstuhl darf nicht als Sitzplatz in einem PKW oder anderen Fahrzeug verwendet werden. Der Transportrollstuhl ist mit dem folgenden Symbol zu kennzeichnen.



Gehen Sie folgendermaßen vor, um den Transportrollstuhl im Auto zu transportieren:

1. Bauen Sie die Fußplatten und evtl. vorhandenes Zubehör ab.
2. Bewahren Sie die Fußauflagen und das Zubehör an einem sicheren Ort auf.
3. Zusammenklappen des Transportrollstuhls.
4. Transportieren Sie die Transportrollstuhl nach Möglichkeit im Kofferraum oder Gepäckraum.
5. Wenn der Gepäckraum und der Fahrgastraum NICHT voneinander getrennt sind, befestigen Sie den Rahmen des Transportrollstuhls sicher am Fahrzeug. Sie können hierzu verfügbare Sicherheitsgurte im Fahrzeug verwenden.

3 Zusammenbau und Einstellung

Die Anweisungen in diesem Kapitel richten sich an den Fachhändler.

Die Vermeiren-Rollstühle der Serie Bobby wurden für kurze Strecken und einfachen Transport entwickelt.

Um einen Fachhändler in Ihrer Nähe zu finden, stehen Ihnen unsere Niederlassungen gerne zur Verfügung. Eine Auflistung aller Vermeiren Niederlassungen finden Sie auf der letzten Seite dieser Gebrauchsanweisung.

- ⚠ **WARNUNG:** Nutzen Sie das Produkt nur gemäß den technischen Vor- und Angaben dieser Gebrauchsanweisung.
- ⚠ **WARNUNG:** Änderungen an den zulässigen Einstellungen können die Stabilität des Transportrollstuhls verändern (Kippen nach hinten oder zur Seite).

3.1 Werkzeuge

Für die Montage der Transportrollstuhl werden die folgenden Werkzeuge benötigt:

- Schraubenschlüsselsatz Größe 10
- Inbusschlüsselsatz Größe 4

3.2 Lieferumfang

Im Lieferumfang der Bobby von Vermeiren ist Folgendes enthalten:

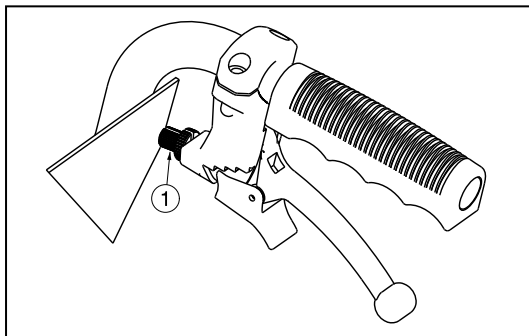
- 1 Rahmen mit Armlehnen, Hinter- und Vorderrädern
- 1 Paar Fußauflagen
- Handgriffe + Bremshebel
- Rücken- und Sitzkissen
- Werkzeuge
- Gebrauchsanweisung
- Zubehör (optional)

Prüfen Sie vor der Verwendung, ob alle aufgeführten Artikel in der Lieferung enthalten und nicht beschädigt sind (beispielsweise durch den Transport).

3.3 Anpassen der Bremsen

⚠ WARNUNG: Verletzungsgefahr – Bremsen dürfen nur vom Fachhändler eingestellt werden.

So stellen Sie die Bremsen ein:

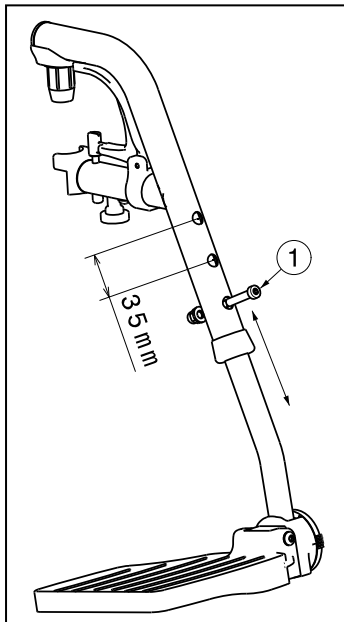


1. Drehen Sie an Teil ①, um die Bremsspannung anzupassen.
2. Prüfen Sie die ordnungsgemäße Funktion der Bremsen.
3. Drehen Sie bei Bedarf so lange an Teil ①, bis die Bremsen korrekt angepasst sind.

3.4 Einstellen der Fußauflagen

3.4.1 Länge der Fußauflage

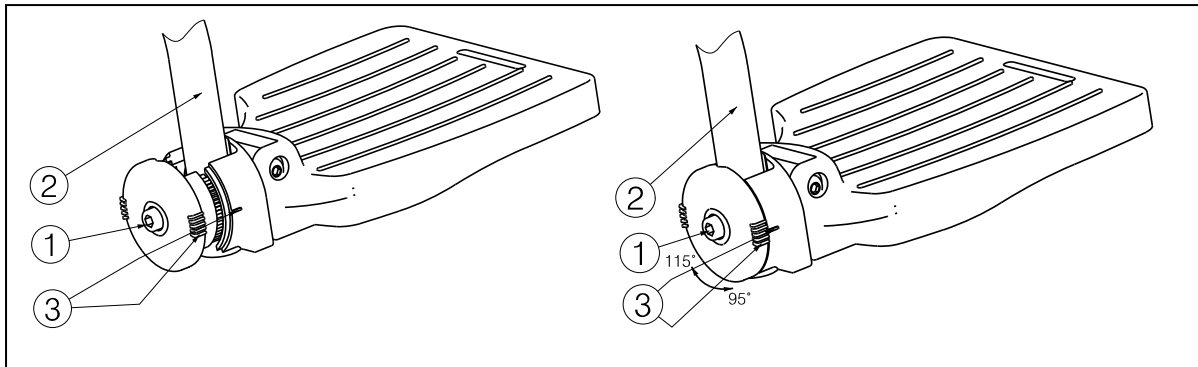
⚠ VORSICHT: Risiko der Beschädigung – Achten Sie darauf, dass die Fußplatte den Boden nicht berührt. Achten Sie auf einen Abstand von mindestens 60 mm zwischen der Fußauflage und dem Boden.



So stellen Sie die Länge der Fußauflage ein (3 mögliche Positionen: Schritte von 35 mm → Bohrungen Außenrohr, 6 mögliche Positionen: Schritte von 25 mm → Innenrohr):

1. Entfernen Sie die Schraube ①.
2. Ziehen Sie das untere Rohr der Beinstützen in die gewünschte Position.
3. Setzen Sie die Schraube ① wieder ein und ziehen diese handfest an.

3.4.2 Einstellen des Fußplattenwinkel



Der Winkel des Fußplatten wird wie folgt eingestellt:

1. Lösen Sie die Schraube ①.
2. Verstellen Sie das Rohr ② in den gewünschten Winkel. Die Winkelanzeige (95°-100°-105°-110°-115°) kann an den Strichen ③ abgelesen werden.
3. Ziehen Sie die Schraube ① wieder fest.

4 **Wartung**

Hinweise zur Wartung des Transportrollstuhles entnehmen Sie bitte der Website von Vermeiren: www.vermeiren.de.

Indice

Premessa	2
1 Descrizione del prodotto.....	3
1.1 Destinazione d'uso.....	3
1.2 Specifiche tecniche.....	3
1.3 Componenti	5
1.4 Accessori	5
1.5 Significato dei simboli	5
1.6 Regole per la sicurezza.....	6
2 Utilizzo	6
2.1 Trasporto della carrozzina da trasferimento	7
2.2 Apertura della carrozzina da trasferimento	7
2.3 Ripiegare la carrozzina da trasferimento.....	7
2.4 Montaggio o rimozione delle pedane	8
2.5 Apertura / chiusura dello schienale	8
2.6 Utilizzo dei freni.....	9
2.7 Trasferimento della carrozzina da trasferimento all'interno e all'esterno.....	9
2.8 Posizione corretta della carrozzina da trasferimento.....	10
2.9 Utilizzo della carrozzina da trasferimento	10
2.10 Spostamento su superfici in pendenza	10
2.11 Superamento di gradini e scalini	10
2.12 Trasporto in auto	11
3 Installazione e regolazione	12
3.1 Attrezzi	12
3.2 Modalità di consegna	12
3.3 Regolazione dei freni	13
3.4 Regolazione della lunghezza delle pedane.....	13
4 Manutenzione.....	14



Premessa

Ringraziamo per la fiducia accordataci con l'acquisto di una carrozzina da trasferimento di nostra produzione.

Le carrozzina da trasferimento Vermeiren sono il risultato di molti anni di ricerca ed esperienza. Durante lo sviluppo, è stata dedicata attenzione speciale alla facilità d'uso e alla praticità della carrozzina da trasferimento.

La durata del carrozzina da trasferimento dipende fortemente dalla cura e manutenzione che vi si dedicano.

Il presente manuale ha lo scopo di aiutare ad acquisire familiarità con il funzionamento della carrozzina da trasferimento.

Attenersi alle istruzioni operative e di manutenzione costituisce parte integrante della garanzia.

Il manuale riflette gli sviluppi più recenti dei prodotti. Vermeiren si riserva il diritto di apportare modifiche senza preavviso, senza essere tenuta a sostituire o adattare modelli forniti in precedenza.

Per qualsiasi chiarimento, rivolgersi al rivenditore specializzato.

1 Descrizione del prodotto

1.1 Destinazione d'uso

La carrozzina da trasferimento è studiata per persone con difficoltà motorie.

La carrozzina da trasferimento è destinata al trasporto di una sola persona.

La carrozzina da trasferimento può essere utilizzata sia all'interno che in spazi esterni.

La carrozzina da trasferimento può essere spinta da un accompagnatore.

Le diverse versioni di allestimento degli accessori e la concezione modulare consentono l'utilizzo della carrozzina da parte di persone con impossibilità/difficoltà di deambulazione in età avanzata.

Nella valutazione delle esigenze personali, si consiglia di tenere in considerazione i seguenti fattori:

- corporatura e peso corporeo (115 kg max)
- condizioni psico-fisiche
- abitazione
- ambiente

La carrozzina da trasferimento deve essere utilizzata solo su superfici che consentono il contatto adeguato delle quattro ruote e dove sia possibile spingere in modo uniforme le ruote.

Esercitarsi nella guida su superfici sconnesse (ciottoli, ecc.), pendenze, curve e nel superamento di ostacoli (scalini, ecc.).

Non utilizzare la carrozzina da trasferimento come scala, né per trasportare oggetti pesanti o caldi.

Se utilizzato su pavimenti con tappeti, moquette o rivestimenti, questi potrebbero venire danneggiati.


Utilizzare solo gli accessori approvati da Vermeiren.

La casa costruttrice non può essere ritenuta responsabile per danni causati da mancanza di manutenzione adeguata o risultanti dal mancato rispetto delle istruzioni contenute nel presente manuale.

La conformità con le istruzioni operative e di manutenzione è parte integrante della garanzia.

1.2 Specifiche tecniche

I termini tecnici riportati di seguito sono applicabili alla carrozzina da trasferimento con configurazione standard. Se vengono utilizzati altri tipi di pedane, braccioli o accessori, i valori in tabella saranno diversi.

Produttore	Vermeiren	
Indirizzo	Vermeirenplein 1/15, B-2920 Kalmthout	
Tipo	Carrozzina da trasferimento 	
Modello	Bobby	
Peso massimo dell'occupante	115 kg	
Descrizione	Dimensioni	
Larghezza effettiva del sedile	420 mm	480 mm
Larghezza complessiva (in base alla larghezza del sedile)	590 mm	640 mm
Larghezza ripiegata	270 mm	

Descrizione	Dimensioni minime	Dimensioni massime
Lunghezza complessiva con poggiapiedi	950 mm	
Lunghezza ripiegata senza poggiapiedi	740 mm	
Altezza totale	940 mm	
Altezza ripiegata	750 mm	
Peso totale	11,00 kg	11,55 kg
Massa della parte più pesante	9,40 kg	9,95 kg
Peso delle parti smontabili o rimovibili	Poggiapiedi: 1,60 kg	
Stabilità statica in discesa	10°	
Stabilità statica in salita	10°	
Stabilità statica laterale	10°	
Superamento degli ostacoli	60 mm	
Basculamento del sedile	5°	
Profondità del sedile regolabile	420 mm	
Altezza da terra del sedile	500 mm	
Reclinazione dello schienale	5°	
Altezza regolabile dello schienale	380 mm	
Distanza tra pedana e sedile	370 mm	500 mm
Angolazione tra sedile e pedana	-1°	19°
Inclinazione tra sedile e piatto pedana	114°	
Distanza tra imbottitura dei braccioli e sedile	220 mm	
Posizione anteriore della struttura del bracciolo	315 mm	
Diametro dei corrimano	Non applicabile	
Posizione orizzontale dell'asse (deflessione)	21 mm	
Raggio di sterzata minimo	1500 mm	
Diametro delle ruote posteriori	12,5"	
Pressione di gonfiaggio pneumatici, ruote motrici/posteriori (per pneumatici con camera d'aria)	Non applicabile	
Diametro delle ruote diretrici	150 mm	
Pressione di gonfiaggio pneumatici, ruote diretrici (per pneumatici con camera d'aria)	Non applicabile	
Temperatura per utilizzo e conservazione	+ 5 °C	+ 41 °C
Umidità per utilizzo e conservazione	30%	70%
La casa produttrice si riserva il diritto di apportare modifiche tecniche. Tolleranza misurazioni ± 15 mm / 1,5 kg / °		

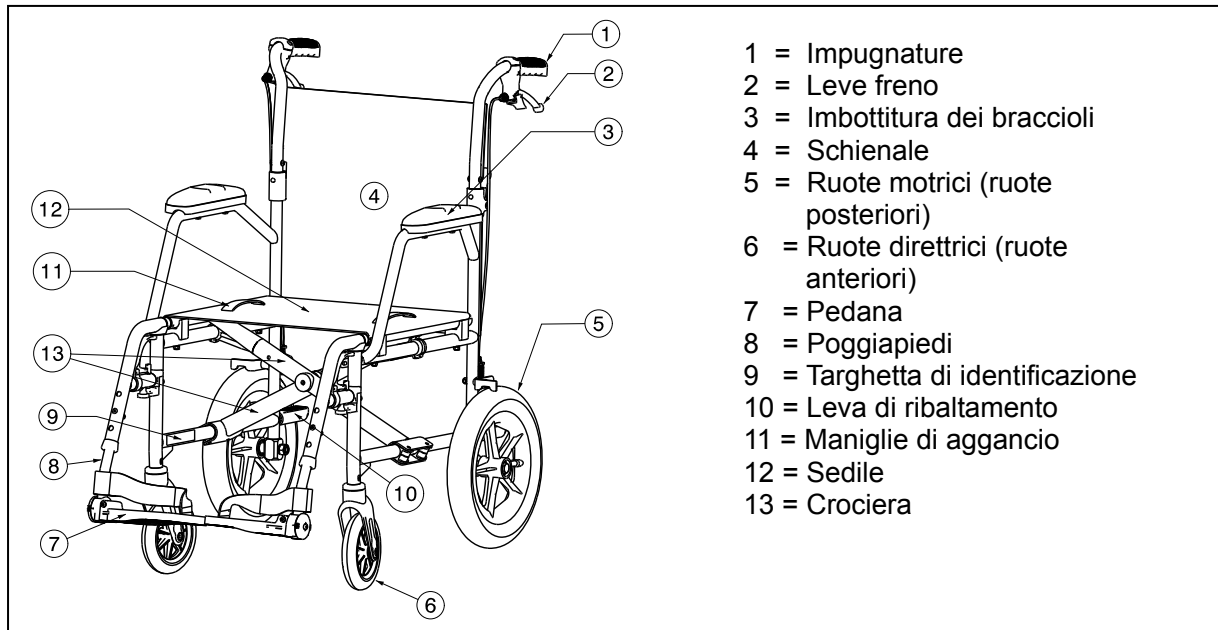
Tabella 1: Technical specifications Bobby

La carrozzina da trasferimento è conforme ai requisiti stabiliti dalle normative:

ISO 7176-8: Requisiti e test per prove di stabilità, d'urto e di fatica.

ISO 7176-16: Resistenza infiammabilità delle parti imbottite.

1.3 Componenti



1.4 Accessori

Per il modello Bobby sono disponibili gli accessori seguenti:

- Cintura pelvica anteriore (B20) per montaggio sul tubo dello schienale

1.5 Significato dei simboli



Portata massima



Utilizzo interno ed esterno



Pendenza massima consentita



Conformità CE



Modello



Non utilizzabile come sedile in un veicolo a motore

1.6 Regole per la sicurezza

- ⚠ Verificare che nessun oggetto o parte del corpo finisca tra i ruote motrici onde evitare lesioni e/o danni alla carrozzina da trasferimento.
- ⚠ Prima di salire o scendere dalla carrozzina da trasferimento, innestare i freni di stazionamento.
- ⚠ Per salire e scendere dalla carrozzina da trasferimento non utilizzare le pedane come punto di appoggio. Piegare le pedane verso l'alto o ruotare i poggiatesta completamente in modo che siano fuori dal raggio di movimento.
- ⚠ Verificare gli effetti dello spostamento del centro di gravità sulla carrozzina da trasferimento, ad esempio quando ci si trova su pendenze verso l'alto o verso il basso, su superfici inclinate lateralmente o durante il superamento di ostacoli.
- ⚠ Se si desidera raccogliere un oggetto da terra (di fronte, a lato o sul retro della carrozzina da trasferimento) fare attenzione a non chinarsi eccessivamente con rischio di ribaltamento.
- ⚠ Nel passaggio attraverso porte o archi, assicurarsi che sia disponibile spazio laterale sufficiente da evitare il rischio di schiacciamento delle mani o delle braccia o di danneggiamento della carrozzina da trasferimento.
- ⚠ Attenersi alle istruzioni d'uso della carrozzina da trasferimento. Evitare, ad esempio, di procedere senza frenare verso ostacoli (gradini, spigoli, soglie, ecc.) o dislivelli. La casa produttrice declina ogni e qualsiasi responsabilità per danni o lesioni derivanti da sovraccarico, collisioni o altri usi impropri.
- ⚠ Affrontare le scale solo con l'aiuto di un'assistente. Se disponibili, servirsi degli appositi sistemi e dispositivi, quali rampe o ascensori.
- ⚠ Nella marcia su strada, rispettare il codice della strada.
- ⚠ Come per tutti gli altri veicoli, è vietata la guida in stato di ebbrezza o sotto l'influsso di farmaci o droghe. Ciò vale anche per spostamenti in ambienti interni.
- ⚠ In ambienti esterni, tenere conto delle condizioni atmosferiche e del traffico.
- ⚠ Per il trasporto della carrozzina da trasferimento a rotelle non afferrarla per le parti mobili (poggiatesta, ecc.) ma per il telaio.
- ⚠ Per poter essere visibili nell'oscurità, indossare abiti chiari o dotati di catarifrangenti e verificare che i catadiottri presenti sui lati e sul retro della carrozzina da trasferimento, siano perfettamente visibili.
- ⚠ Non superare mai il carico massimo di 115 kg.

2 Utilizzo

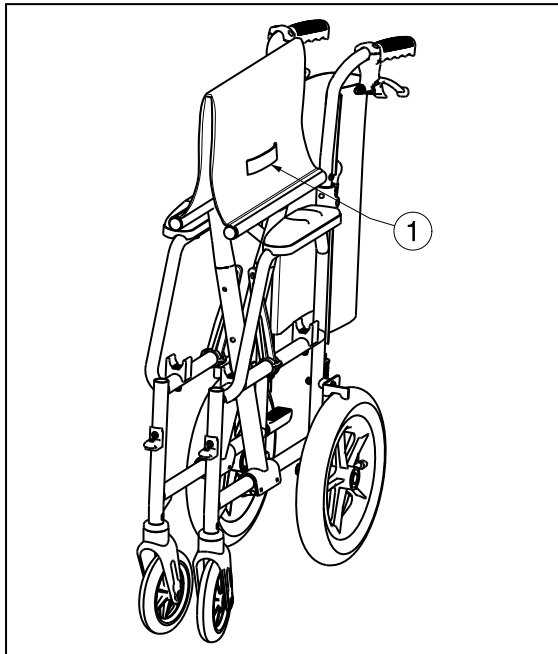
Nel capitolo viene descritto l'utilizzo quotidiano. **Le presenti istruzioni sono destinate all'utente e al rivenditore specializzato.**

La carrozzina da trasferimento viene fornito completamente assemblato dal rivenditore. Le istruzioni destinate al rivenditore, relative alla configurazione della carrozzina da trasferimento sono descritte al punto § 3.

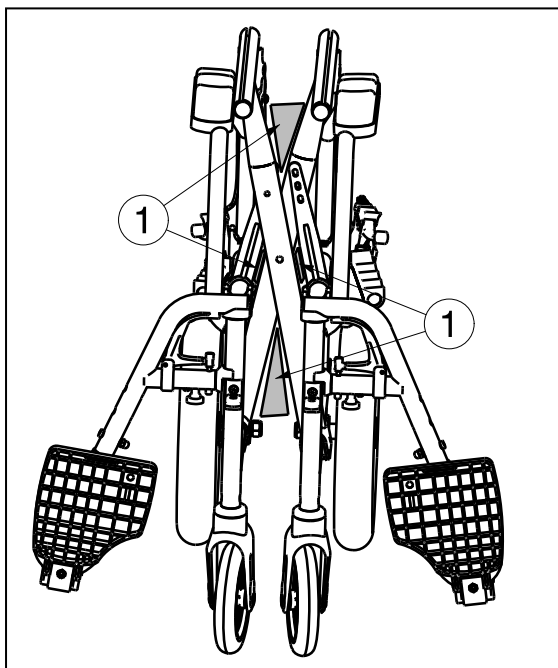
2.1 Trasporto della carrozzina da trasferimento

Il modo migliore per trasportare la carrozzina da trasferimento è facendola scorrere usufruendo delle ruote.

Se questo non è possibile afferrare saldamente dal telaio anteriore e impugnature. Non utilizzare la pedane, i braccioli o le ruote per afferrare la carrozzina da trasferimento.



E' possibile anche spostare la carrozzina da trasferimento afferrandola dalle maniglie poste sul sedile ①. Rimuovere anzitutto le pedane e piegare la carrozzina da trasferimento. A questo è possibile afferrare le maniglie ① poste su entrambi i lati e spostare la carrozzina da trasferimento nel posto desiderato.



2.2 Apertura della carrozzina da trasferimento

⚠ ATTENZIONE: rischio di intrappolamento - Allontanare le dita dalle parti mobili della carrozzina da trasferimento.

1. Posizionarsi dietro la carrozzina da trasferimento.
2. Aprire lo schienale (vedere § 2.5).
3. Utilizzare le impugnature per aprire la carrozzina da trasferimento il più possibile.
4. Posizionarsi davanti alla carrozzina da trasferimento.
5. Premere entrambi i profilati tubolari della seduta verso il basso fino a quando non risultano fissati nella posizione corretta.

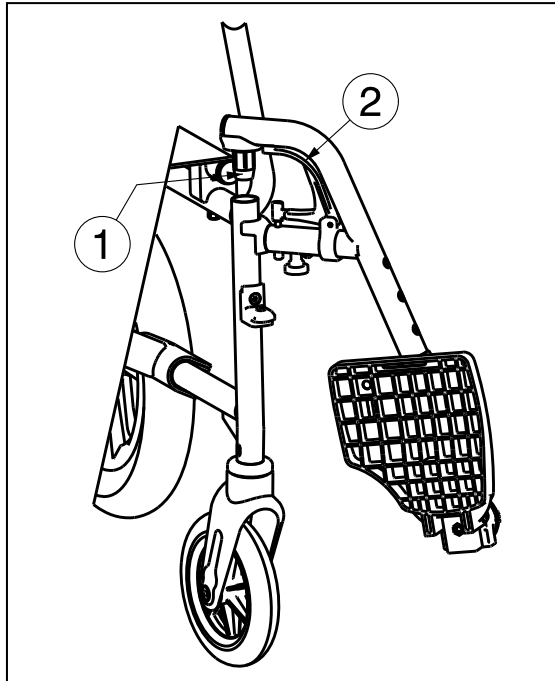
2.3 Ripiegare la carrozzina da trasferimento

⚠ ATTENZIONE: rischio di schiacciamento - Prestare attenzione a non mettere le dita (zona di intrappolamento ①: crociera) della carrozzina da trasferimento.

1. Ripiegare pedane o rimuovere le poggiatesta (vedere la sezione § 2.4).
2. Ripiegare lo schienale (vedere § 2.5).
3. Afferrare il sedile dalla parte anteriore e dallo schienale e tirarlo verso l'alto.

2.4 Montaggio o rimozione delle pedane

- ⚠ **AVVERTENZA:** rischio di lesioni – Prima dell'uso, verificare che le pedane siano bloccate saldamente nella posizione corretta.
- ⚠ **ATTENZIONE:** rischio di intrappolamento - Mantenere una distanza adeguata delle persone e degli oggetti rispetto al raggio di rotazione delle pedane.



Montare le pedane nel modo seguente:

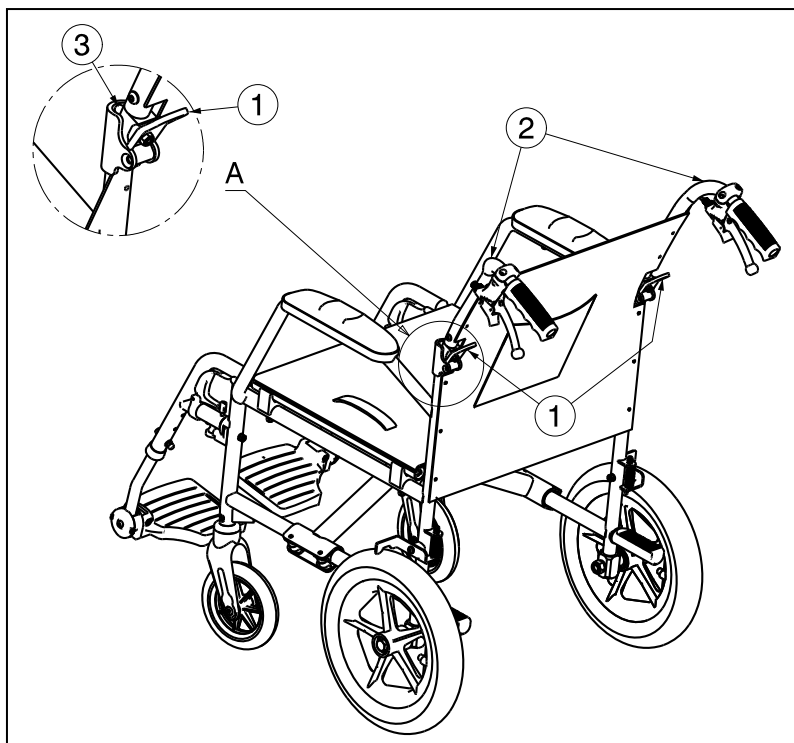
1. Reggere la pedana lateralmente dalla parte esterna del telaio della carrozzina e montare la chiusura del profilato tubolare ① sul telaio.
2. Ruotare la pedana verso l'interno fino a quando non scatta nella posizione corretta.
3. Ruotare la pedana verso il basso.

Per rimuovere le pedane:

1. Tirare l'impugnatura ②.
2. Ruotare la pedana verso l'esterno della carrozzina finché non si sgancia dalla guida.
3. Sfilare la pedana dalla chiusura del profilato tubolare ①.

2.5 Apertura / chiusura dello schienale

- ⚠ **AVVERTENZA:** rischio di lesioni – Prima dell'uso, verificare che lo schienale sia bloccato saldamente nella posizione corretta.



Per chiudere lo schienale procedere come segue :

1. Premere sulle leve ①, sino a che il perno ③ esca dal foro.
2. Spingere sulla parte alta dei tubi dello schienale ② verso l'alto sino a quando lo schienale non sarà completamente chiuso

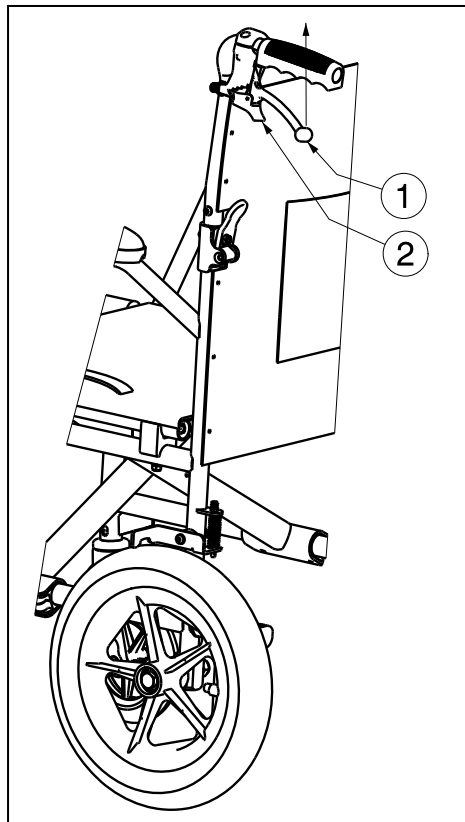
Per aprire lo schienale:

1. Tirare i tubi dello schienale ② verso il basso sino a quando lo schienale è agganciato saldamente.
2. Assicurarsi che lo schienale sia ben fermo al suo posto.

2.6 Utilizzo dei freni

- ⚠ **AVVERTENZA:** Non utilizzare i freni per rallentare la carrozzina da trasferimento durante la marcia, utilizzarli solo per prevenire movimenti indesiderati della carrozzina da trasferimento.
- ⚠ **AVVERTENZA:** Sull'adeguato funzionamento dei freni incidono l'usura e la mancanza di pulizia delle ruote, ad esempio presenza di acqua, olio o fango. Verificare le condizioni delle ruote prima di ogni utilizzo.
- ⚠ **AVVERTENZA:** I freni sono regolabili e possono usurarsi. Verificare il funzionamento dei freni prima di ogni utilizzo.

I freni possono essere comandati solo dall'accompagnatore.



Innesto dei freni di stazione:

1. Tirare le leve del freno ① verso l'alto.
2. Spingere la leva sottostante ② per bloccare i freni.

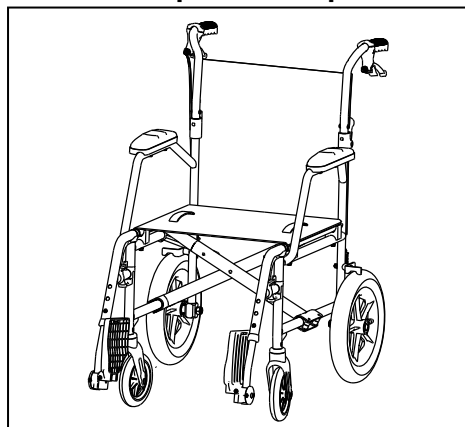
- ⚠ **ATTENZIONE:** Rischio di movimenti indesiderati - Accertarsi che la carrozzina da trasferimento sia su una superficie piana prima di rilasciare i freni.

Disinnesto dei freni di stazione:

1. Rilasciare la leva sottostante ②.
2. Rilasciare le leve del freno ①.

2.7 Trasferimento della carrozzina da trasferimento all'interno e all'esterno

- ⚠ **ATTENZIONE:** Nel caso in cui non si riesca a eseguire il trasferimento in modo sicuro, chiedere assistenza.
- ⚠ **ATTENZIONE:** Rischio di ribaltamento della carrozzina da trasferimento - Non stare in piedi sulle pedane.



1. Posizionare la carrozzina da trasferimento il più vicino possibile alla sedia, alla poltrona o al letto verso il quale si desidera trasferire il paziente.
2. Assicurarsi che i freni di stazione siano inseriti.
3. Ripiegare le pedane verso l'alto per evitarne l'utilizzo come punto di appoggio.
4. Trasferimento da/verso la carrozzina da trasferimento.

2.8 Posizione corretta della carrozzina da trasferimento

Alcuni consigli per un utilizzo confortevole della carrozzina da trasferimento:

- Posizionarsi il più vicino possibile allo schienale.
- Accertarsi che le cosce siano in posizione orizzontale, se necessario regolare la lunghezza delle pedane (vedere § 3.4).

2.9 Utilizzo della carrozzina da trasferimento

- ⚠ **AVVERTENZA:** Rischio di intrappolamento – Prestare attenzione durante il passaggio in spazi ristretti, ad esempio attraverso le porte.
- ⚠ **AVVERTENZA:** Pericolo di ustioni - Prestare attenzione durante l'uso in ambienti molto caldi o molto freddi, (esposizione al sole, freddo estremo, sauna, ecc.) per un periodo di tempo prolungato. Le superfici potrebbero assumere la stessa temperatura dell'ambiente in cui si trova lo scooter.
- ⚠ **AVVERTENZA:** rischio di lesioni – Tenere sempre le braccia sulla carrozzina da trasferimento.
 1. Rilasciare i freni.
 2. L'assistente afferra le maniglie di spinta.
 3. L'assistente spinge la carrozzina da trasferimento nella direzione desiderata.

2.10 Spostamento su superfici in pendenza

- ⚠ **AVVERTENZA:** Controllare la velocità. Spostarsi sulle pendenze il più lentamente possibile.
- ⚠ **AVVERTENZA:** Tenere in considerazione le capacità dell'accompagnatore. Se l'accompagnatore non ha forza per controllare la carrozzina da trasferimento, attivare i freni.
- ⚠ **AVVERTENZA:** Rischio di ribaltamento . Inclinarsi in avanti per spostare il baricentro in avanti e per migliorare la stabilità.

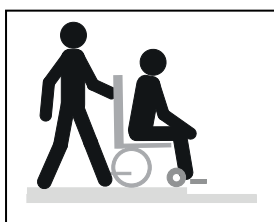


1. Se disponibile sulla carrozzina da trasferimento, indossare la cintura di sicurezza.
2. Non tentare di spostarsi su superfici in pendenza troppo ripide. Verificare la pendenza massima consentita (in salita e in discesa) nella tabella 1.
3. L'assistente può spingere sulla pendenza.
4. Inclinarsi in avanti per spostare il baricentro in avanti.

2.11 Superamento di gradini e scalini

2.11.1 Discesa da gradini e scalini

È possibile scendere da piccoli scalini spostandosi in avanti. Accertarsi che i pedane non tocchino il suolo.



1. Chiedere all'accompagnatore di inclinare la carrozzina da trasferimento leggermente all'indietro.
2. Superare i gradini procedendo sulle ruote posteriori.
3. Riportare la carrozzina da trasferimento sulle quattro ruote.



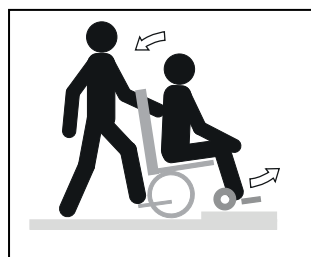
E' preferibile affrontare i gradini scendendo all'indietro :

1. Ruotare la carrozzina da trasferimento in modo che le ruote posteriori siano di fronte allo scalino.
2. Inclinarsi in avanti per spostare il baricentro in avanti.
3. Portare la carrozzina da trasferimento vicino agli scalini.
4. L'assistente accompagnerà la carrozzina delicatamente sino alla fine del gradino.

IT

2.11.2 Salita di gradini e scalini

Salire su gradini e scalini con un accompagnatore nel modo seguente:



1. Fare in modo che le pedane non tocchino lo scalino.
2. Chiedere all'accompagnatore di inclinare la carrozzina da trasferimento all'indietro, in modo sufficiente per consentire alle ruote anteriori di superare lo scalino.
3. Inclinarsi all'indietro per spostare il baricentro sulle ruote posteriori.
4. Portare le ruote anteriori sullo scalino.
5. Far rotolare le ruote posteriori oltre lo scalino.

Gli scalini più alti vanno affrontati all'indietro:

1. Ruotare la carrozzina da trasferimento in modo che le ruote posteriori siano di fronte allo scalino.
2. Inclinarsi all'indietro per spostare il baricentro sulle ruote posteriori.
3. Chiedere all'accompagnatore di spingere la carrozzina da trasferimento verso lo scalino.
4. Assumere nuovamente la posizione normale nella carrozzina da trasferimento.

2.11.3 Fare le scale

Non fare movimenti bruschi

È possibile salire le scale in carrozzina da trasferimento, adottando le regole che seguono:

⚠ AVVERTENZA: Rischio di ribaltamento. È possibile fare le scale facendosi assistere sempre da due accompagnatori.

1. Rimuovere i poggiatesta.
2. Far inclinare la carrozzina da trasferimento leggermente all'indietro all'accompagnatore.
3. Il secondo accompagnatore deve afferrare la parte anteriore del telaio.
4. Mantenere la calma, evitare movimenti improvvisi e tenere le braccia all'interno della carrozzina da trasferimento.
5. Fare le scale sulle ruote posteriori della carrozzina da trasferimento.
6. Montare nuovamente i poggiatesta dopo aver fatto le scale.

2.12 Trasporto in auto

⚠ PERICOLO: rischio di lesioni - Non è consentito utilizzare la carrozzina da trasferimento in sostituzione degli appositi seggiolini per il trasporto in auto.

⚠ AVVERTENZA: Rischio di lesioni - Controllare che la carrozzina da trasferimento sia fissata in modo adeguato, per evitare lesioni ai passeggeri in caso di collisioni o frenate brusche.

⚠ AVVERTENZA: Rischio di lesioni - NON utilizzare la stessa cintura di sicurezza per il passeggero e per la carrozzina da trasferimento.

Non utilizzare mai la carrozzina da trasferimento in sostituzione degli appositi seggiolini in un'automobile o in altri veicoli. Sulla carrozzina da trasferimento deve essere presente il simbolo seguente:



Per il trasporto della carrozzina da trasferimento in auto, attenersi alle istruzioni seguenti:

1. Rimuovere le pedane e gli accessori.
2. Conservare le pedane e gli accessori in un posto sicuro.
3. Piegare la carrozzina da trasferimento.
4. Sistemare il carrozzina da trasferimento nel portabagagli.
5. Se lo scomparto della carrozzina da trasferimento e del passeggero NON sono separati, collegare il telaio della carrozzina da trasferimento in modo saldo al veicolo.

È possibile utilizzare le cinture di sicurezza disponibili nel veicolo.

3 Installazione e regolazione

Le istruzioni contenute nel presente capitolo sono destinate al rivenditore.

La carrozzina da trasferimento Bobby della Vermeiren è stata progettata per tragitti brevi e trasferimenti semplici.

Per individuare il centro assistenza o il rivenditore specializzato più vicino, contattare il centro Vermeiren. Nell'ultima pagina del manuale, è disponibile un elenco di centri Vermeiren autorizzati.

⚠ AVVERTENZA: Rischio di regolazioni non sicure - Utilizzare solo le regolazioni descritte in questo manuale.

⚠ AVVERTENZA: La modifica delle regolazioni consentite può determinare una variazione nella stabilità della carrozzina da trasferimento (ribaltamento all'indietro o laterale).

3.1 Attrezzi

Per montare la carrozzina da trasferimento sono necessari i seguenti strumenti.

- Set di chiavi n° 10
- Set di chiavi a brugola n° 4

3.2 Modalità di consegna

Il seggiolone Vermeiren Bobby è fornito di :

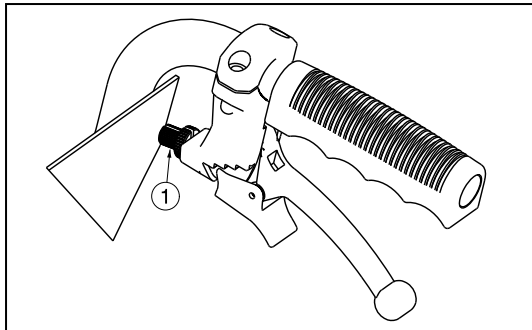
- 1 telaio con braccioli, ruote anteriori e posteriori
- 1 coppia di poggiatesta
- Impugnatura + leve del freno
- Imbottitura schienale e sedile
- Attrezzi
- Manuale
- Accessori (facoltativo)

Prima dell'uso, controllare che tutti i componenti siano inclusi e che non siano stati danneggiati, ad esempio durante il trasporto.

3.3 Regolazione dei freni

⚠ AVVERTENZA: rischio di lesione. I freni devono essere regolati solo dal rivenditore specializzato.

Regolare i freni rispettando i criteri seguenti:

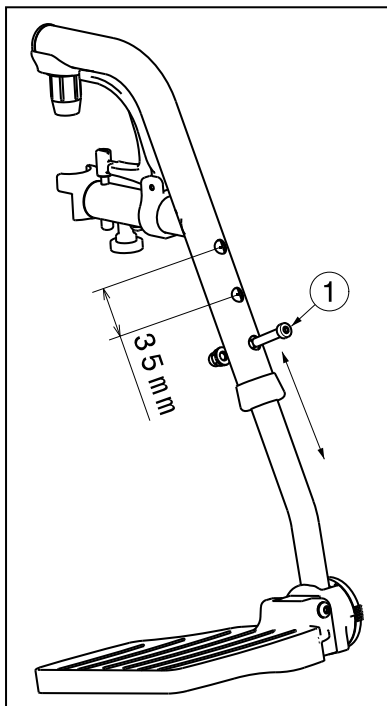


1. Ruotare il perno vicino alla leva ① per regolare la tensione dei freni.
2. Verificare il funzionamento dei freni.
3. Se necessario ruotare nuovamente il perno ① sino alla regolazione ottimale.

3.4 Regolazione della lunghezza delle pedane

3.4.1 Lunghezza delle pedane

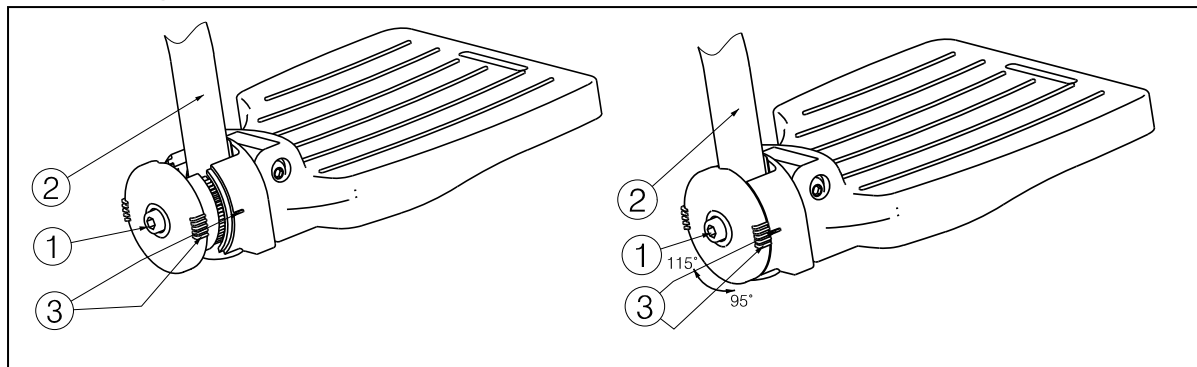
⚠ ATTENZIONE: Rischio di danneggiamento - Evitare che i piatto pedana siano a contatto con il suolo. Tenere una distanza minima di 60 mm dal suolo.



È possibile regolare la lunghezza delle pedane adottando la procedura seguente: (tre posizioni possibile: ogni 35 mm → fori all'esterno del tubo, 6 posizioni possibile: ogni 25 mm → tubo interno):

1. Rimuovere la vite ①.
2. Regolare le pedane a un'altezza confortevole per il paziente.
3. Serrare la vite ① in modo adeguato.

3.4.2 Regolazione dell'inclinazione del piatto pedana



Regolare l'inclinazione del piatto pedana nel modo seguente:

1. Allentare il bullone ①.
2. Regolare il profilato tubolare ② con l'angolazione desiderata. L'indicazione dell'angolazione (95°-100°-105°-110°-115°) è segnalata dai trattini ③.
3. Serrare nuovamente il bullone ①.

4 Manutenzione

Per il manuale di manutenzione della carrozzina da trasferimento consultate il sito web Vermeiren: www.vermeiren.it.

Índice

Introducción	2
1 Descripción del producto	3
1.1 Uso previsto.....	3
1.2 Especificaciones técnicas	4
1.3 Componentes.....	5
1.4 Accesorios	5
1.5 Explicación de los símbolos.....	5
1.6 Normas de seguridad.....	6
2 Uso	6
2.1 Transporte de la silla de transferencia.....	7
2.2 Despliegue de la silla de transferencia	7
2.3 Plegado de la silla de transferencia	7
2.4 Montaje o desmontaje de los reposapiés	8
2.5 Plegado / Despliegue del respaldo	8
2.6 Accionamiento de los frenos	9
2.7 Traslado a la silla de transferencia y desde esta.....	9
2.8 Posición correcta en la silla de transferencia	10
2.9 Conducción de la silla de transferencia.....	10
2.10 Desplazamiento por pendientes.....	10
2.11 Franqueo de peldaños y bordillos.....	10
2.12 Transporte en coche.....	12
3 Instalación y ajuste	12
3.1 Herramientas	12
3.2 Forma de suministro.....	13
3.3 Ajuste de los frenos	13
3.4 Ajuste del reposapiés.....	13
4 Mantenimiento	14



Introducción

ES

En primer lugar, nos gustaría agradecerle que haya confiado en nosotros escogiendo una de nuestras sillas de transferencias.

Las sillas de transferencias Vermeiren son el resultado de muchos años de experiencia e investigación. Durante su desarrollo, hemos puesto especial atención en crear una silla de transferencia práctica y fácil de usar.

La vida útil de su silla de transferencia dependerá en gran medida de los cuidados y el mantenimiento que le dedique.

Este manual le permitirá familiarizarse con el funcionamiento de su silla de transferencia.

El seguimiento de las instrucciones para el usuario y de las instrucciones de mantenimiento es parte indispensable de la garantía.

Este manual incluye las mejoras de producto más recientes. Vermeiren se reserva el derecho de introducir cambios sin tener ninguna obligación de adaptar o sustituir los modelos entregados previamente.

Si tiene más preguntas, le rogamos que consulte a su distribuidor especializado.

1 Descripción del producto

1.1 *Uso previsto*

La silla de transferencia está diseñada para personas con movilidad reducida.

La silla de transferencia está diseñada para transportar a 1 persona.

La silla de transferencia puede ser usada en interiores y/o exteriores.

Un acompañante puede empujar la silla de transferencia.

Los diferentes tipos de accesorios y su construcción modular permiten su pleno uso por personas mayores.

En cada caso particular, también se debe tener en cuenta lo siguiente:

- envergadura y peso (máx. 115 kg)
- estado físico y psicológico
- características de la vivienda
- entorno

Utilice la silla de transferencia únicamente en superficies que permitan que las cuatro ruedas estén en contacto con el suelo y donde haya suficiente contacto para propulsar las ruedas por igual.

Practique para poder desplazarse por superficies irregulares (adoquines, etc.), pendientes, curvas y para superar obstáculos (bordillos, etc.).

La silla de transferencia no debe usarse como escalera, ni tampoco como medio de transporte para objetos pesados o a alta temperatura.

Si lo utiliza encima de alfombras, suelos enmoquetados o suelos con recubrimientos que no estén fijados, podría dañar dichos recubrimientos.


Utilice solo los accesorios aprobados de Vermeiren.

El fabricante no asumirá responsabilidad alguna por los daños causados por la falta de mantenimiento, por un mantenimiento inadecuado o si no se siguen las instrucciones indicadas en este manual.

El cumplimiento de las instrucciones del usuario y de mantenimiento es parte indispensable de la garantía.

1.2 Especificaciones técnicas

Las condiciones técnicas indicadas a continuación son válidas para sillas de transferencia de configuración estándar. En caso de utilizar reposapiés/reposabrazos u otros accesorios diferentes a los indicados, los valores cambian.

Fabricante	Vermeiren	
Dirección	Vermeirenplein 1/15, B-2920 Kalmthout	
Tipo	Silla de transferencia 	
Modelo	Bobby	
Peso máximo del ocupante	115 kg	
Descripción	Dimensiones	
Anchura útil del asiento	420 mm	480 mm
Anchura total (depende de la anchura del asiento)	590 mm	640 mm
Anchura plegada	270 mm	
Descripción	Dimensiones mín.	Dimensiones máx.
Longitud total con reposapiés	950 mm	
Longitud plegada sin reposapiés	740 mm	
Altura total	940 mm	
Altura plegada	750 mm	
Peso total	11,00 kg	11,55 kg
Peso de la parte más pesada	9,40 kg	9,95 kg
Peso de las partes que pueden desmontarse o quitarse	Reposapiés: 1,60 kg	
Estabilidad estática en pendientes descendentes	10°	
Estabilidad estática en pendientes ascendentes	10°	
Estabilidad estática lateral	10°	
Superación de obstáculos	60 mm	
Ángulo plano del asiento	5°	
Profundidad útil del asiento	420 mm	
Altura de la superficie del asiento en la parte delantera	500 mm	
Ángulo del respaldo	5°	
Altura del respaldo	380 mm	
Distancia entre la paleta y el asiento	370 mm	500 mm
Ángulo entre el asiento y la base del reposapiés	-1°	19°
Ángulo entre el asiento y el reposapiernas	114°	
Distancia entre el almohadillas del reposabrazos y el asiento	220 mm	
Ubicación delantera del armazón del reposabrazos	315 mm	
Diámetro del aro de propulsión	No aplicable	
Ubicación horizontal del eje (deflexión)	21 mm	
Radio de giro mínimo	1500 mm	
Diámetro de ruedas traseras	12,5"	
Presión de los neumáticos, ruedas traseras (de tracción) (para neumáticos de aire)	No aplicable	
Diámetro de ruedas dirección	150 mm	
Presión de los neumáticos, ruedas de dirección (para neumáticos de aire)	No aplicable	

Temperatura de almacenamiento y de uso	+ 5 °C	+ 41 °C
Humedad de almacenamiento y de uso	30%	70%
Nos reservamos el derecho a aplicar modificaciones técnicas. Tolerancia de las medidas ± 15 mm / 1,5 kg / °		

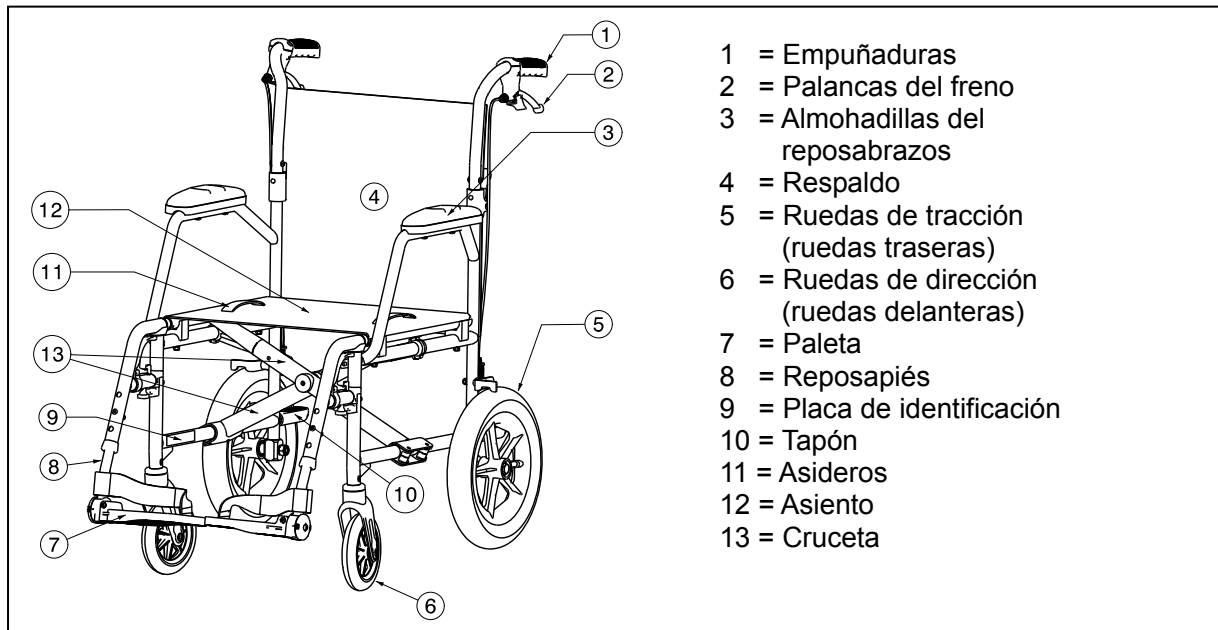
Tabla 1: Especificaciones técnicas Bobby

La silla de transferencia cumple las especificaciones siguientes:

ISO 7176-8: Especificaciones y métodos de prueba de resistencia estática, a impactos y a la fatiga.

ISO 7176-16: Resistencia a la ignición de los componentes tapizados.

1.3 Componentes



1.4 Accesorios

La silla Bobby cuenta con los siguientes accesorios:

- Cinturón pélvico anterior (B20) para su montaje en el tubo del respaldo

1.5 Explicación de los símbolos



Peso máximo



Uso en el interior y en el exterior



Pendiente máxima segura



Conformidad con la normativa CE



Designación de tipo



No debe utilizarse como asiento en un vehículo de motor

1.6 Normas de seguridad

- ⚠ Para evitar lesiones o daños en su silla de transferencia, asegúrese de que no haya objetos ni partes del cuerpo atrapados en las ruedas de tracción.
- ⚠ Los frenos de estacionamiento deben ajustarse antes de sentarse o levantarse de la silla de transferencia.
- ⚠ Al sentarse y levantarse de la silla de transferencia, no se ponga de pie sobre las paletas del reposapiés. Primero deberían plegarse las paletas del reposapiés hacia arriba, o girar completamente los reposapiés hacia fuera.
- ⚠ Investigue el efecto de los cambios de centro de gravedad en el comportamiento de la silla de transferencia, por ejemplo en pendientes ascendentes o descendientes, terrenos con pendientes laterales o al superar obstáculos.
- ⚠ Si desea alcanzar algo (ya sea inclinándose hacia delante, hacia detrás o hacia un lateral de la silla de transferencia), procure no inclinarse demasiado para no correr el riesgo de caerse.
- ⚠ Cuando se desplace a través de puertas, arcos o zonas similares, asegúrese de que haya suficiente espacio en los laterales para que las manos o los brazos no queden atrapados ni aplastados, y para no dañar la silla de transferencia.
- ⚠ Utilice la silla de transferencia solo de acuerdo con las instrucciones. Por ejemplo, evite rodar de forma incontrolada y golpear contra algún obstáculo (escalones, bordillos, marcos de las puertas, etc.) o dejarse caer desde bordillos. El fabricante no se hace responsable de los daños por sobrecarga, colisión u otro uso indebido.
- ⚠ Las escaleras solo deben franquearse con la ayuda de otra persona. Si hay disponibles instalaciones para facilitar el paso, como rampas o ascensores, utilícelas.
- ⚠ Al circular por vías públicas, está sujeto a las normas de tráfico.
- ⚠ No conduzca la silla de transferencia bajo la influencia del alcohol ni ningún medicamento, como es el caso al conducir otros vehículos. Esto también se aplica a la conducción en espacios interiores.
- ⚠ Al circular por el exterior, adapte la conducción a las condiciones climáticas y de tráfico.
- ⚠ Para transportar la silla de transferencia, no la agarre por las partes móviles extraíbles (reposapiés, etc.).
- ⚠ Para ser más visible al circular de noche, lleve ropa de colores vistosos o equipada con reflectores, y compruebe que los reflectores montados en los laterales y en la parte trasera de la silla de transferencia sean bien visibles.
- ⚠ No supere nunca la carga máxima (115 kg).

2 Uso

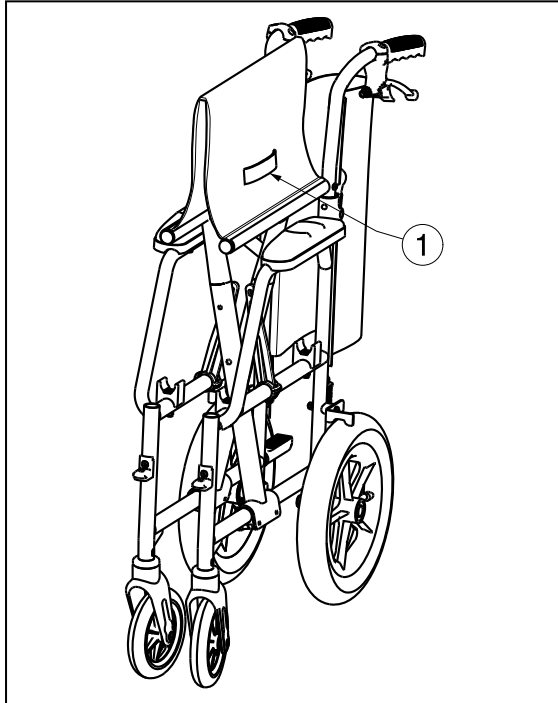
Este capítulo describe el uso diario. **Estas instrucciones están destinadas al usuario y a los distribuidores especializados.**

La silla de transferencia se entrega completamente montada por su distribuidor especializado. Las instrucciones dirigidas al distribuidor especializado con respecto al montaje de la silla de transferencia se encuentran en el capítulo 3.

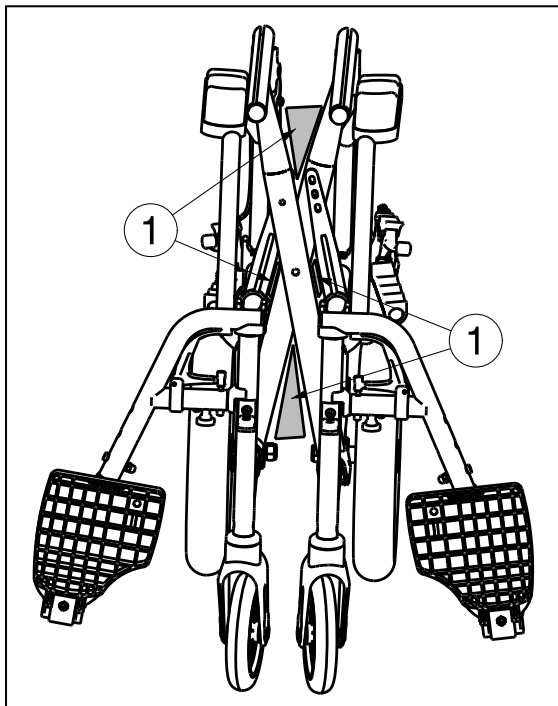
2.1 Transporte de la silla de transferencia

La mejor forma de transportar la silla de transferencia es empujarla y utilizar las ruedas.

Si no es posible, sujete firmemente el armazón por la parte delantera o empuñaduras. No la coja por los reposapiés, los apoyabrazos o las ruedas.



También es posible transportar la silla de transferencia por los asideros ①. Primero quite los reposapiés y pliegue la silla de transferencia. Agarre los asideros ① de ambos lados y transporte la silla de transferencia hasta el lugar deseado.



2.2 Despliegue de la silla de transferencia

⚠ PRECAUCIÓN: Riesgo de que los dedos queden atrapados: mantenga los dedos alejados de las partes móviles de la silla de transferencia.

1. Sitúese detrás de la silla de transferencia.
2. Despliegue el respaldo (véase el apartado § 2.5).
3. Use las empuñaduras para abrir la silla de transferencia tanto como le sea posible.
4. Sitúese delante de la silla de transferencia.
5. Empuje los dos tubos del asiento hacia abajo hasta que queden fijados en su posición.

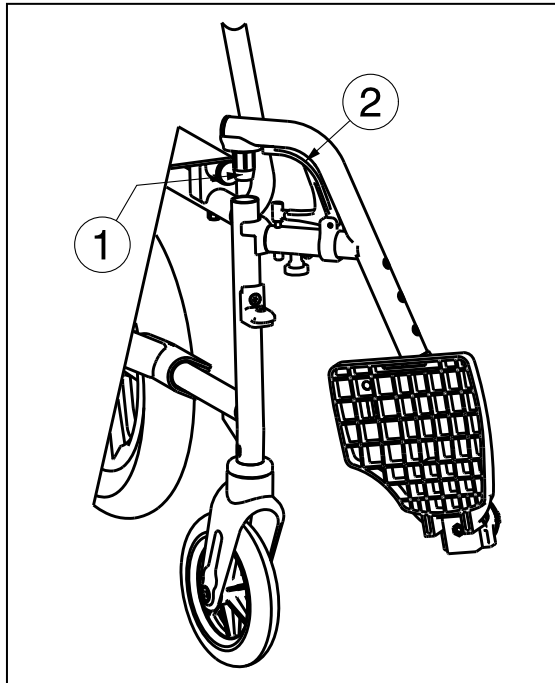
2.3 Plegado de la silla de transferencia

⚠ PRECAUCIÓN: Peligro de pellizcarse los dedos: no meta los dedos entre los componentes (zona peligrosa ①: cruceta) de la silla de transferencia.

1. Pliegue las paletas del reposapiés o retire los reposapiés (véase el apartado 2.4).
2. Pliegue el respaldo (véase el apartado § 2.5).
3. Sujete el asiento por la parte delantera y trasera y tire de él hacia arriba.

2.4 Montaje o desmontaje de los reposapiés

- ⚠ **ADVERTENCIA:** Riesgo de lesiones: compruebe que los reposapiés están bien fijados antes de usarlos.
- ⚠ **PRECAUCIÓN:** Riesgo de que los dedos queden atrapados: mantenga los objetos y personas alejados del alcance de giro de los reposapiés.



El montaje del reposapiés se realiza del modo siguiente:

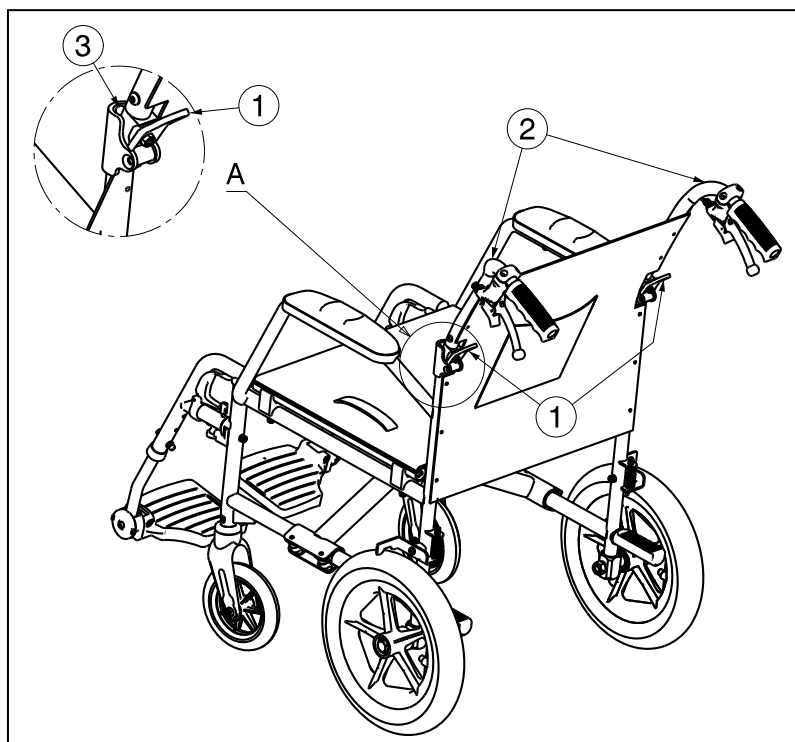
1. Mantenga el reposapiés en posición vertical por la parte externa del armazón de la silla de ruedas e inserte el capuchón del tubo ① en el armazón.
2. Gire el reposapiés hacia el interior hasta que encaje en su posición con un clic.
3. Gire la paleta hacia abajo.

Para retirar los reposapiés:

1. Tire del asa ②.
2. Gire el reposapiés hacia la parte externa de la silla de ruedas hasta que se afloje de la guía.
3. Saque el reposapiés del capuchón del tubo ①.

2.5 Plegado / Despliegue del respaldo

- ⚠ **ADVERTENCIA:** Riesgo de lesiones: compruebe que el respaldo está bien fijado antes de usarlo.



Plegado del respaldo:

1. Tire de las palancas ①, hasta que el pasador ③ salga del agujero.
2. Tire hacia abajo los tubos superiores del respaldo ② hasta que el respaldo esté totalmente plegado.

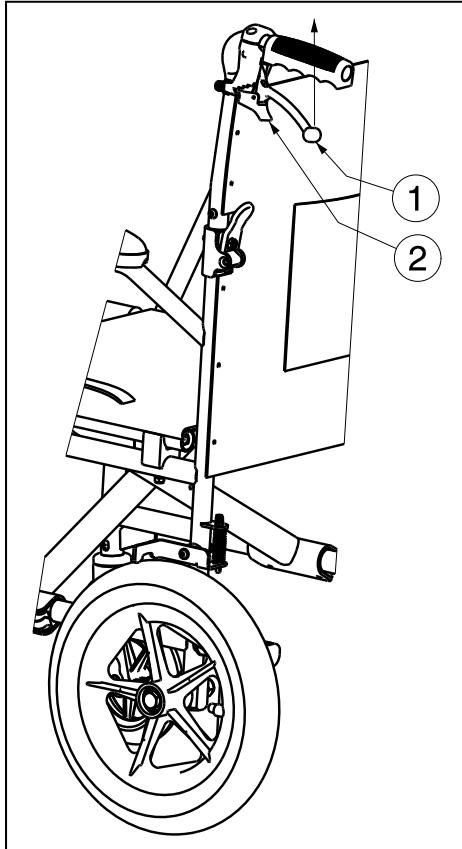
Para desplegar el respaldo:

1. Tire de los tubos del respaldo ② hacia arriba hasta que el respaldo esté firmemente asegurado.
2. Compruebe que el respaldo esté bien fijado.

2.6 Accionamiento de los frenos

- ⚠ **ADVERTENCIA:** Los frenos no se utilizan para reducir la velocidad de la silla de transferencia durante los movimientos. Utilice los frenos solo para evitar que la silla de transferencia realice movimientos no deseados.
- ⚠ **ADVERTENCIA:** El buen funcionamiento de los frenos depende de su desgaste y de las sustancias presentes en ellas (agua, aceite, barro, etc.). Compruebe las condiciones de las ruedas antes de utilizarlas.
- ⚠ **ADVERTENCIA:** Los frenos se pueden ajustar y pueden desgastarse. Compruebe el funcionamiento de los frenos antes de cada uso.

Los frenos sólo pueden ser activados por el acompañante.



Accione los frenos de estacionamiento:

1. Tire de las palancas del freno ① hacia arriba.
2. Presione la parte ② para bloquear los frenos.

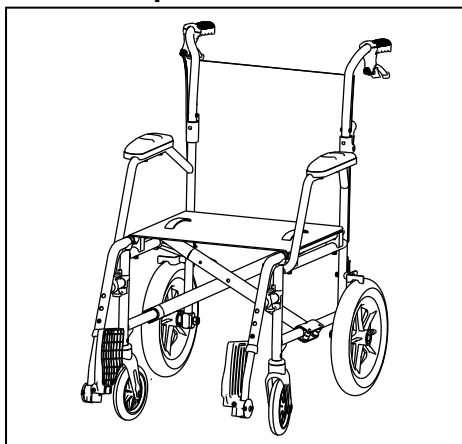
- ⚠ **PRECAUCIÓN:** Riesgo de movimientos no deseados: asegúrese de que la silla de transferencia está en una superficie plana horizontal antes de soltar los frenos.

Desbloqueo de los frenos de estacionamiento:

1. Primero libere la parte ②.
2. Suelte las palancas del freno ①.

2.7 Traslado a la silla de transferencia y desde esta

- ⚠ **PRECAUCIÓN:** En caso de que no pueda realizar el traslado de forma segura, pida a alguien que le ayude.
- ⚠ **PRECAUCIÓN:** Riesgo de vuelco de la silla de transferencia; no se ponga de pie en las paletas.



1. Coloque la silla de transferencia lo más cerca posible de la silla, el sillón o la cama desde la que desea trasladarse o a la que desee ir.
2. Compruebe que ambos frenos (frenos de estacionamiento) de la silla de transferencia están activados.
3. Pliegue las paletas del reposapiés hacia arriba para evitar ponerse de pie en ellos.
4. Traslado a/desde la silla de transferencia.

2.8 Posición correcta en la silla de transferencia

Algunas recomendaciones para un uso confortable de la silla de transferencia:

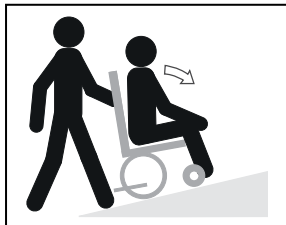
- Coloque la espalda lo más cerca posible del respaldo.
- Asegúrese de que la parte superior de las piernas se encuentre en posición horizontal. En caso necesario, ajuste la longitud de los reposapiés (Véase el apartado 3.4).

2.9 Conducción de la silla de transferencia

- ⚠ **ADVERTENCIA:** Riesgo de que los dedos queden atrapados: tenga cuidado al pasar por lugares estrechos (p. ej. puertas).
- ⚠ **ADVERTENCIA:** Riesgo de quemaduras; tenga cuidado cuando circule por entornos calientes o fríos (luz solar, frío extremo, saunas, etc.) durante un período de tiempo prolongado, ya que podría quemarse al tocar los materiales de la silla de ruedas.
- ⚠ **ADVERTENCIA:** Riesgo de lesiones: Mantenga los brazos siempre en la silla de transferencia.
 1. Suelte los frenos.
 2. El acompañante agarra las empuñaduras.
 3. El acompañante empuja la silla de transferencia a la dirección deseada.

2.10 Desplazamiento por pendientes

- ⚠ **ADVERTENCIA:** Controle su velocidad: desplácese por las pendientes con la mayor lentitud posible.
- ⚠ **ADVERTENCIA:** Tenga en cuenta las capacidades de su acompañante. Si este no tiene fuerza suficiente para controlar la silla de transferencia, accione los frenos.
- ⚠ **ADVERTENCIA:** Riesgo de vuelco: inclínese hacia delante para desplazar el centro de gravedad hacia delante para tener una mejor estabilidad.

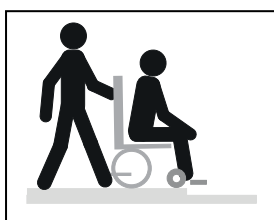


1. Si hay un cinturón de seguridad disponible en la silla de transferencia, abrócheselo.
2. No intente desplazarse por pendientes demasiado inclinadas. Los ángulos de pendiente máximos (ascendentes y descendentes) están indicados en la tabla 1.
3. El acompañante le empuja por la pendiente.
4. Inclínese hacia delante para desplazar su centro de gravedad hacia delante.

2.11 Franqueo de peldaños y bordillos

2.11.1 Bajar peldaños o bordillos

Se pueden bajar bordillos pequeños desplazándose hacia delante. Asegúrese de que las paletas del reposapiés no tocan el suelo.



1. Pida al acompañante que incline la silla de transferencia ligeramente hacia atrás.
2. Pase el bordillo desplazándose con las ruedas traseras.
3. Coloque la silla de transferencia de nuevo sobre las cuatro ruedas.

Los bordillos más altos mejor franquearlas de espaldas:

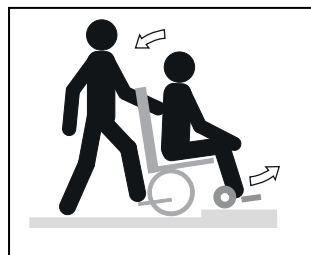


1. Gire la silla de transferencia de forma que las ruedas traseras queden orientadas al bordillo.
2. Inclínese hacia delante para desplazar su centro de gravedad hacia delante.
3. Desplace la silla de transferencia cerca del bordillo.
4. El acompañante le tira suavemente para bajar el bordillo de una manera controlada.

ES

2.11.2 Subir peldaños o bordillos

Para subir peldaños y bordillos con la ayuda de un acompañante, haga lo siguiente:



1. Evite que las paletas del reposapiés toquen el bordillo.
2. Pida al acompañante que incline la silla de transferencia hacia atrás, lo suficiente para desplazar las ruedas delanteras por encima del bordillo.
3. Inclínese hacia atrás para desplazar su centro de gravedad sobre las ruedas traseras.
4. Coloque las ruedas delanteras sobre el bordillo.
5. Haga girar las ruedas traseras de la silla de transferencia por encima del bordillo.

Los bordillos más altos se franquean de espaldas:

1. Gire la silla de transferencia de forma que las ruedas traseras queden orientadas al bordillo.
2. Inclínese hacia atrás y desplace su centro de gravedad sobre las ruedas traseras.
3. Pida al acompañante que tire de la silla por encima del bordillo.
4. Vuelva a la posición normal en la silla de transferencia.

2.11.3 Desplazamientos por escaleras

Nunca utilice escaleras automáticas.

Para desplazarse por las escaleras mientras está en una silla de transferencia, siga las instrucciones siguientes:

⚠ ADVERTENCIA: Riesgo de vuelco: el desplazamiento por escaleras deberá realizarse siempre con 2 acompañantes.

1. Retire los reposapiés.
2. Un acompañante debe inclinar la silla de transferencia ligeramente hacia atrás.
3. El segundo acompañante sujeta la parte frontal del chasis.
4. Mantenga la calma, evite los movimientos bruscos y mantenga los brazos dentro de la silla de transferencia.
5. Para desplazarse por las escaleras utilice las ruedas traseras de la silla.
6. Vuelva a montar los reposapiés después de desplazarse por las escaleras.

2.12 Transporte en coche

- ⚠ **PELIGRO:** Riesgo de lesiones; la silla de transferencia no se ha diseñado para su uso como asiento en un automóvil.
- ⚠ **ADVERTENCIA:** Riesgo de lesiones - compruebe que la silla de transferencia se encuentra correctamente fijada, para evitar cualquier daño a los pasajeros en caso de colisión o frenado brusco.
- ⚠ **ADVERTENCIA:** Riesgo de lesiones: no utilice **NUNCA** el mismo cinturón de seguridad para fijar la silla de transferencia y el pasajero.

No utilice la silla de transferencia como asiento en un coche u otro vehículo. Debe estar marcada con el símbolo siguiente.



Para transportar la silla de transferencia en el coche, siga estos pasos:

1. Retire los reposapiés y demás accesorios.
2. Guarde de forma segura los reposapiés y demás accesorios.
3. Pliegue la silla de transferencia.
4. Coloque la silla de transferencia en el maletero.
5. Si la silla de transferencia y el compartimento de los pasajeros **NO** están separados, sujete el armazón de la silla de transferencia firmemente al vehículo. Puede utilizar los cinturones de seguridad disponibles en el vehículo.

3 Instalación y ajuste

Este capítulo contiene instrucciones destinadas a los distribuidores especializados.

La silla de transferencia Bobby de Vermeiren ha sido diseñada para realizar viajes cortos y transferencias fáciles.

Para encontrar un centro de servicio o un distribuidor especializado cerca de usted, póngase en contacto con el centro Vermeiren más próximo. Puede encontrar una lista con los centros Vermeiren en la última página.

- ⚠ **ADVERTENCIA:** Riesgo por ajustes peligrosos; utilice únicamente los ajustes indicados en este manual.
- ⚠ **ADVERTENCIA:** Realizar ajustes en la silla de transferencia puede hacer variar su estabilidad (inclinaciones hacia atrás o hacia los lados).

3.1 Herramientas

Para montar la silla de transferencia, necesita las siguientes herramientas.

- Juego de llaves inglesas del 10
- Juego de llaves Allen del 4

3.2 Forma de suministro

La silla de transferencia Bobby de Vermeiren se entrega con:

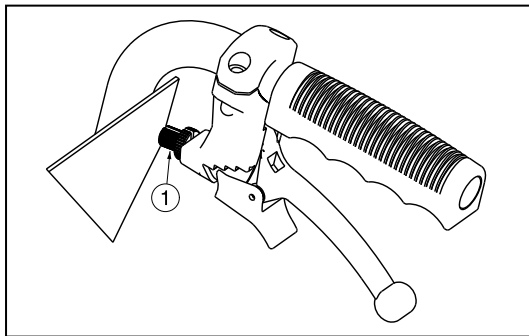
- 1 armazón con apoyabrazos, ruedas delanteras y traseras
- 1 par de reposapiés
- Empuñaduras + palancas de freno
- Cojín para el asiento y para la espalda
- Herramientas
- Manual
- Accesorios (opcional)

Antes de utilizarlo, compruebe que ha recibido todo el material y que no ha sufrido ningún daño (por culpa del transporte u otro motivo).

3.3 Ajuste de los frenos

⚠ ADVERTENCIA: Riesgo de lesiones: sólo su distribuidor especializado puede ajustar los frenos.

Ajuste los frenos según las instrucciones siguientes:

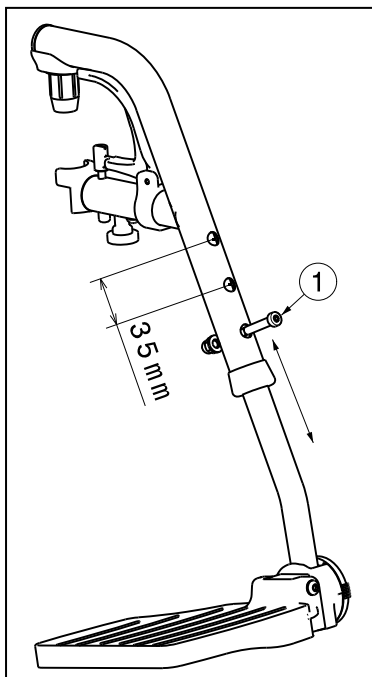


1. Gire la parte ① para ajustar la tensión de los frenos.
2. Verifique el funcionamiento de los frenos.
3. Si es necesario, repita y gire la parte ① hasta que los frenos se ajusten bien.

3.4 Ajuste del reposapiés

3.4.1 Longitud del reposapiés

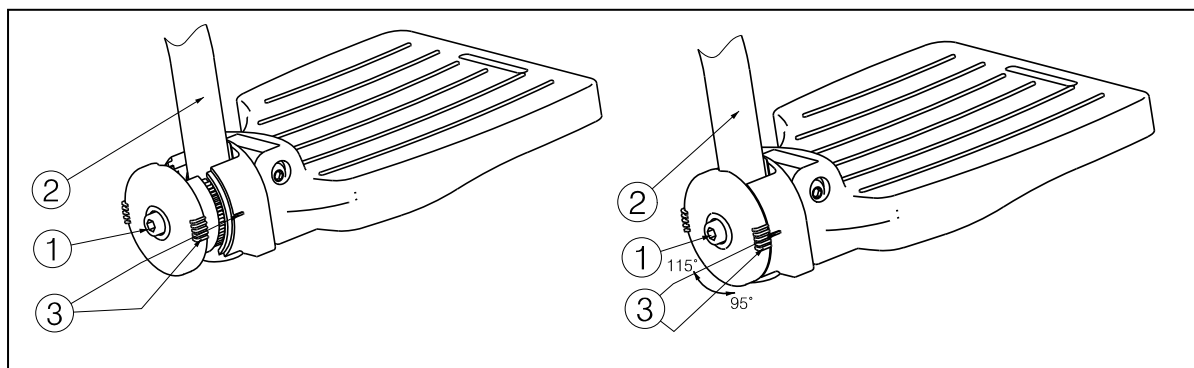
⚠ PRECAUCIÓN: Riesgo de desperfectos: evite que la paleta del reposapiés entren en contacto con el suelo. Mantenga una distancia mínima de 60 mm por encima del suelo.



Regule la longitud del reposapiés como se indica a continuación (3 posibles posiciones: intervalos de 35 mm → orificios fuera del tubo, 6 posibles posiciones: intervalos 25 mm → tubo interior):

1. Saque el tornillo ①.
2. Ajuste la longitud del reposapiés a la medida que le resulte cómoda.
3. Apriete el tornillo ① correctamente.

3.4.2 Ajuste del ángulo de las paletas del reposapiés



Ajuste el ángulo de las paletas del reposapiés como se indica a continuación:

1. Afloje el tornillo ①.
2. Ajuste el tubo ② en el ángulo deseado. Las marcas ③ indican el ángulo (95°-100°-105°-110°-115°)
3. Vuelva a apretar el perno ①.

4 Mantenimiento

Para consultar el manual de mantenimiento de la silla de transferencia, visite el sitio web de Vermeiren www.rehagirona.com.

Spis treści

Wstęp	2
1 Opis produktu	3
1.1 Przeznaczenie	3
1.2 Parametry techniczne	4
1.3 Elementy składowe	5
1.4 Akcesoria	5
1.5 Objasnienie symboli	5
1.6 Zasady bezpieczenstwa	6
2 Sposob użycia	6
2.1 Przenoszenie wozka inwalidzkiego transportowego	7
2.2 Rozkladanie wozka inwalidzkiego transportowego	7
2.3 Skladanie wozka inwalidzkiego transportowego	7
2.4 Montaz i demontaz podnóżków	8
2.5 Skladanie / Rozkladanie oparcie	8
2.6 Obsluga hamulców	9
2.7 Wsiadanie i zsiadanie z wozka inwalidzkiego transportowego	9
2.8 Prawidlowa pozycja w wozku inwalidzkim transportowym	10
2.9 Jazda na wozku inwalidzkim transportowym	10
2.10 Poruszanie sie po powierzchniach pochylych	10
2.11 Pokonywanie progów lub krawężników	10
2.12 Transport w samochodzie	11
3 Montaz i regulacja	12
3.1 Narzedzia	12
3.2 Sposob dostawy	12
3.3 Regulacja hamulców	13
3.4 Regulacja podnóżka	13
4 Konserwacja	14

Wstęp

Przede wszystkim pragniemy Państwu podziękować za zaufanie, jakim nas Państwo obdarzyli, dokonując wyboru jednego z naszych wózków inwalidzkich transportowych.

Wózki inwalidzkie transportowe Vermeiren są konstruowane na podstawie wieloletnich badań i doświadczenia. W procesie projektowania szczególną uwagę poświęcono łatwości użycia i solidności wózka inwalidzkiego transportowego.

Na szacowaną żywotność wózka transportowego olbrzymi wpływ ma konserwacja oraz pielęgnacja.

Niniejsza instrukcja pomoże Ci zapoznać się z obsługą wózka inwalidzkiego transportowego.

Postępowanie zgodnie z instrukcjami dotyczącymi obsługi i konserwacji stanowi zasadniczy warunek gwarancji.

Niniejsza instrukcja obsługi odzwierciedla aktualny stan produktu. Firma Vermeiren zastrzega sobie jednak prawo do wprowadzenia zmian bez obowiązku dostosowania lub wymiany wcześniej dostarczonych modeli.

W razie jakichkolwiek pytań prosimy kontaktować się ze sprzedawcą.

1 Opis produktu

1.1 Przeznaczenie

Wózek inwalidzki transportowy jest przeznaczony dla osób mających problem z chodzeniem.

Wózek inwalidzki transportowy jest zaprojektowany do transportu jednej osoby.

Wózek inwalidzki transportowy przeznaczony jest do użycia wewnątrz jak i na zewnątrz budynków.

Wózek inwalidzki transportowy może być pchany przez opiekuna.

Wiele rodzajów mocowań i akcesoriów, a także modułowa konstrukcja, umożliwiają pełne użytkowanie wózka przez osoby niepełnosprawne w różnym wieku.

W celu dostosowania produktu do indywidualnych wymagań, należy uwzględnić następujące warunki:

- rozmiary i masa ciała (maks. 115 kg);
- stan fizyczny i psychiczny;
- warunki mieszkaniowe;
- otoczenie

Z adaptacyjnych możliwości wózka inwalidzkiego transportowego należy korzystać wyłącznie na powierzchniach, na których wszystkie cztery koła dotykają podłoża oraz kontakt jest wystarczający, aby odpowiednio napędzać koła.

Należy przećwiczyć pokonywanie przeszkód (np. krawężników) oraz korzystanie z wózka na nierównych powierzchniach (kostkach brukowych itp.), pochyłościach i zakrętach.

Wózka inwalidzkiego transportowego nie należy używać w roli drabiny, nie może on służyć również do transportu ciężkich ani gorących przedmiotów.

Podczas użytkowania na matach, dywanach lub luźnych przykryciach podłogowych może dojść do uszkodzenia powierzchni wykładzinowej.

Należy korzystać wyłącznie z akcesoriów zatwierdzonych przez firmę Vermeiren.


Producent nie ponosi odpowiedzialności za uszkodzenia spowodowane zaniedbaniami konserwacji, nieodpowiednim serwisowaniem bądź będące skutkiem nieprzestrzegania zaleceń zawartych w niniejszej instrukcji obsługi.

Postępowanie zgodnie z instrukcją użytkownika oraz instrukcją konserwacji stanowi zasadniczy warunek gwarancji.

1.2 Parametry techniczne

Parametry techniczne podane poniżej opisują wózek inwalidzki transportowy w konfiguracji standardowej.

Jeśli użytkownik korzysta z innych podnóżków/podłokietników lub innych akcesoriów, wartości będą się różnić.

Producent	Vermeiren	
Adres	Vermeirenplein 1/15, B-2920 Kalmthout	
Typ	Wózek inwalidzki transportowy 	
Model	Bobby	
Maksymalna waga użytkownika	115 kg	
Opis	Wymiary	
Szerokość użytkowa siedziska	420 mm	480 mm
Szerokość całkowita (zależy od szerokości siedziska)	590 mm	640 mm
Szerokość po złożeniu	270 mm	
Opis	Minimalne wymiary	Maksymalne wymiary
Długość całkowita z podnóżkiem	950 mm	
Długość po złożeniu bez podnóżka	740 mm	
Wysokość całkowita	940 mm	
Wysokość po złożeniu	750 mm	
Waga całkowita	11,00 kg	11,55 kg
Waga najcięższej części	9,40 kg	9,95 kg
Waga części, które można zdemontować lub zdjąć	Podnóżki: 1,60 kg	
Stabilność statyczna przy pochyłości	10°	
Stabilność statyczna pod górę	10°	
Stabilność statyczna w poprzek	10°	
Zdolność pokonywania przeszkód	60 mm	
Kąt nachylenia siedziska	5°	
Głębokość użytkowa siedziska	420 mm	
Wysokość przedniej krawędzi siedziska	500 mm	
Kąt nachylenia oparcia	5°	
Wysokość oparcia	380 mm	
Odległość siedziska od płyta podnóżka	370 mm	500 mm
Kąt pomiędzy siedziskiem a płyta podnóżka	-1°	19°
Kąt pomiędzy siedziskiem a podnóżkiem	114°	
Odległość poduszka podłokietnika od siedziska	220 mm	
Przednia pozycja podłokietnika	315 mm	
Średnica obręczy	Nie dotyczy	
Pozycja osi w poziomie (odchył)	21 mm	
Minimalny promień skrętu	1500 mm	
Średnica kół tylnych	12,5"	
Ciśnienie w oponach, koła tylne (napędowe) (dotyczy opon pompowanych)	Nie dotyczy	
Średnica kół skrętnych	150 mm	
Ciśnienie w oponach, koła skrętne (napędowe) (dotyczy opon pompowanych)	Nie dotyczy	

Temperatura przechowywania i użytkowania	+ 5 °C	+ 41 °C
Wilgotność powietrza do przechowywania i użytkowania	30%	70%
Producent zastrzega sobie prawo do wprowadzania zmian parametrów technicznych. Tolerancja pomiaru ± 15 mm / 1,5 kg / °		

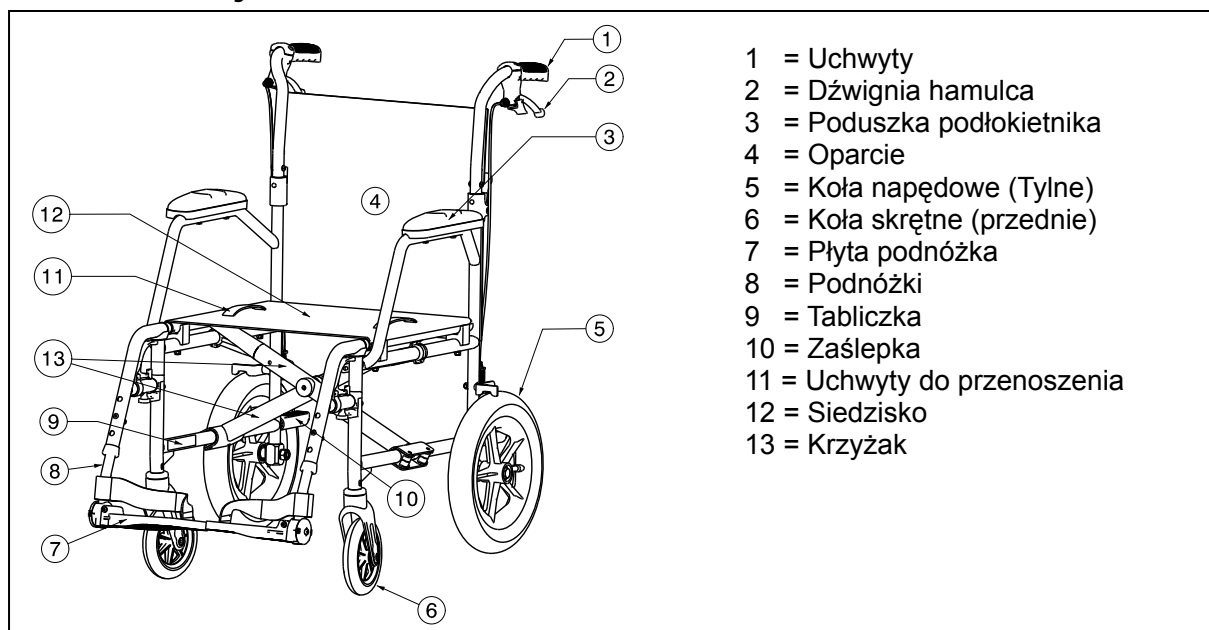
Tabela 1: Parametry techniczne Bobby

Wózek inwalidzki transportowy spełnia wymogi następujących norm:

ISO 7176-8: Wymogi i metody testowania sił działających w bezruchu, przy uderzeniu oraz zmęczeniu materiału.

ISO 7176-16: Odporność części pokrytych tapicerką na zapłon.

1.3 Elementy składowe



1.4 Akcesoria

Dla modelu Bobby dostępne są następujące akcesoria:

- Pas stabilizujący miednicę od przodu (B20) do zamocowania nad rurą oparcia

1.5 Objaśnienie symboli



Waga maksymalna



Użycie wewnątrz i na zewnątrz budynków



Maks. bezpieczne nachylenie



Deklaracja CE



Oznaczenie typu



Nie nadaje się do użytku jako fotel w pojeździe silnikowym

1.6 Zasady bezpieczeństwa

- ⚠ By zapobiec urazom i/lub uszkodzeniom wózka inwalidzkiego transportowego należy upewnić się, że żadne przedmioty i/lub części ciała nie utknęły w kół jezdnych.
- ⚠ Przed przystąpieniem do siadania lub wysiadania z niego należy zaciągnąć hamulce postojowe.
- ⚠ Podczas siadania na wózek inwalidzki transportowy oraz zsiadania z niego nie wolno stawać na płytę podnóżka. Należy je wcześniej podnieść lub maksymalnie rozsunąć na boki podnóżki pod nogi.
- ⚠ Należy sprawdzić wpływ zmiany środka ciężkości na działanie wózka inwalidzkiego transportowego na przykład podczas jazdy po pochyłych nawierzchniach, przy bocznych przechyłach lub przy omijaniu przeszkód.
- ⚠ Aby podnieść przedmiot (leżący naprzeciw, z boku lub z tyłu wózka inwalidzkiego transportowego), nie należy wychylać się za daleko, aby uniknąć przewrócenia.
- ⚠ W przypadku przemieszczania wózka inwalidzkiego transportowego przez drzwi i inne przejścia, należy upewnić się, że po obydwu stronach jest wystarczająco dużo miejsca, aby uniknąć zranienia rąk lub uszkodzenia wózka inwalidzkiego transportowego.
- ⚠ Należy używać wózek inwalidzki transportowy zgodnie z przepisami. Przykładowo nie należy dopuszczać do niekontrolowanego uderzania o przeszkody (stopnie, krawężniki, futryny itd.). Nie należy również dopuszczać, aby wózek spadł ze stopni. Producent nie ponosi odpowiedzialności za szkody wynikłe z przeciążenia, kolizji lub innego niewłaściwego użytkowania.
- ⚠ Poruszanie się po schodach jest możliwe jedynie, gdy dostępna jest pomoc ze strony drugiej osoby. Należy korzystać z podjazdów czy wind, jeśli tylko urządzenia takie są dostępne.
- ⚠ Korzystając z dróg publicznych, należy stosować się do przepisów ruchu drogowego.
- ⚠ Podobnie jak w przypadku innych pojazdów, nie należy jeździć wózkiem inwalidzkim transportowym pod wpływem alkoholu lub innych leków czy narkotyków. Dotyczy to również jazdy wewnątrz pomieszczeń.
- ⚠ Poruszając się wózkiem na zewnątrz należy uzależnić to od warunków pogodowych i ruchu drogowego.
- ⚠ Przy przenoszeniu wózka inwalidzkiego transportowego nie należy chwytać za ruchome części (podłokietniki, podnóżki itp.).
- ⚠ Aby być lepiej widocznym podczas jazdy w ciemności, należy mieć na sobie jaskrawe ubranie lub ubranie z elementami odblaskowymi i sprawdzić, czy boczne i tylne szkła odblaskowe wózka inwalidzkiego transportowego są dobrze widoczne.
- ⚠ Nigdy nie należy przekraczać maksymalnego obciążenia (115 kg).

2 Sposób użycia

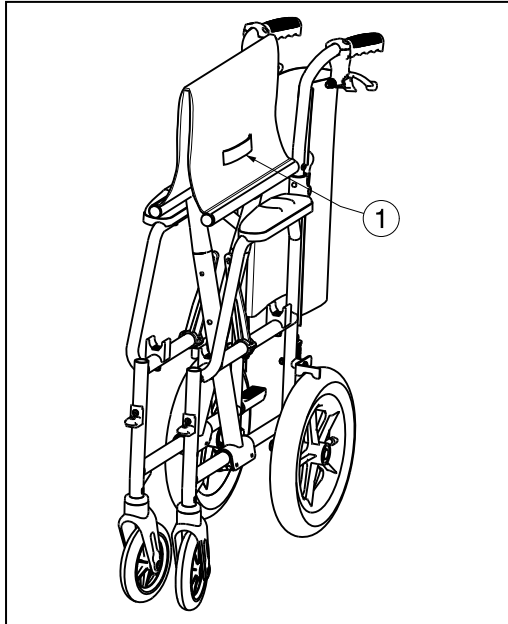
W niniejszym rozdziale opisano normalne użytkowanie roweru rehabilitacyjnego trójkołowego. **Instrukcje te są przeznaczone dla użytkownika oraz wyspecjalizowanego sprzedawcy.**

Wózek inwalidzki transportowy jest dostarczany po złożeniu przez wyspecjalizowanego sprzedawcę. Instrukcje montażu wózka inwalidzkiego transportowego przeznaczoną dla wyspecjalizowanego sprzedawcy można znaleźć w punkcie 3.

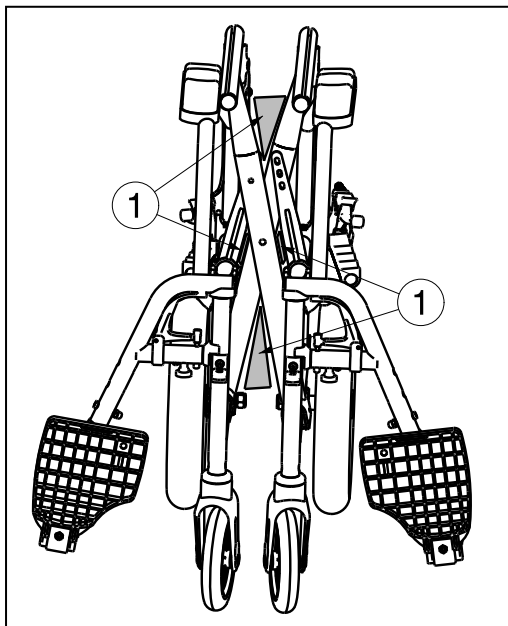
2.1 Przenoszenie wózka inwalidzkiego transportowego

Najlepszym sposobem przenoszenia wózka inwalidzkiego transportowego jest prowadzenie go z wykorzystaniem jego kół.

Jeśli nie jest to możliwe, należy mocno chwycić wózek za ramę z przodu oraz za uchwyty. Nie należy podnosić wózka inwalidzkiego transportowego, chwytając za podnóżek, podłokietniki lub koła.



Możliwe jest również przenoszenie wózka inwalidzkiego transportowego przy pomocy uchwytów ①. Aby to zrobić powinieneś wykonać następujące czynności: zdemontuj podnóżki, złoż krzyżak poprzez pociągnięcie siedziska w górę. Teraz może złapać za uchwyty ①, które znajdują się po obydwu stronach siedziska i przenieść wózek inwalidzki transportowy w pożądane przez siebie miejsce.



2.2 Rozkładanie wózka inwalidzkiego transportowego

⚠ PRZESTROGA: Ryzyko przytrzaśnięcia — należy trzymać palce w bezpiecznej odległości od ruchomych części wózka inwalidzkiego transportowego.

1. Stań za wózkiem inwalidzkim transportowym.
2. Rozłóż oparcie (patrz § 2.5).
3. Trzymając za uchwyty, maksymalnie rozłóż wózek inwalidzki transportowy.
4. Stań przed wózkiem inwalidzkim transportowym.
5. Dociśnij obie rurki siedziska w dół, aż zostaną zablokowane na pozycjach.

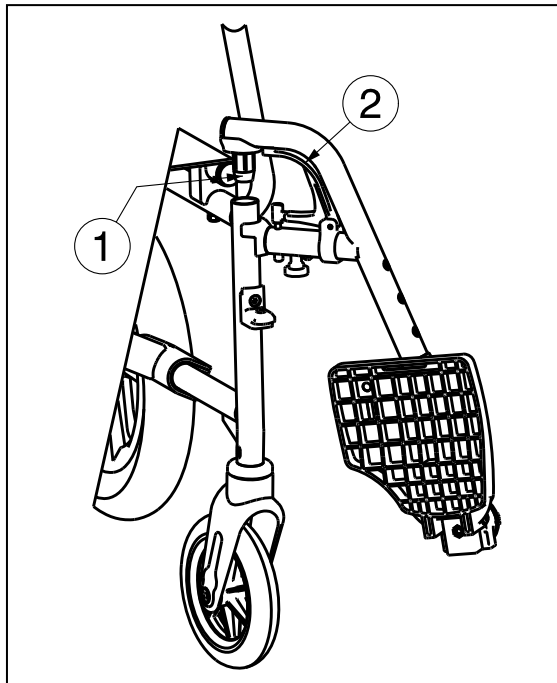
2.3 Składanie wózka inwalidzkiego transportowego

⚠ PRZESTROGA: Możliwość przyszczygnięcia — nie należy wkładać palców między elementy (strefy uwięzienia elementów zewnętrznych ①: krzyżak) wózka inwalidzkiego transportowego.

1. Złóż płyty podnóżek lub wymontuj podnóżek (patrz § 2.4).
2. Złóż oparcie (patrz § 2.5).
3. Chwyc siedzenie za przód i oparcie, a następnie pociągnij w górę.

2.4 Montaż i demontaż podnóżków

- ⚠ **OSTRZEŻENIE:** Ryzyko urazu — należy upewnić się, że przed użyciem podnóżki pod nogi są zablokowane na swoich pozycjach.
- ⚠ **PRZESTROGA:** Ryzyko przytrzaśnięcia — ludzie i przedmioty powinni się znajdować w bezpiecznej odległości od zasięgu regulacji podnóżki pod nogi.



Aby zamontować podnóżek:

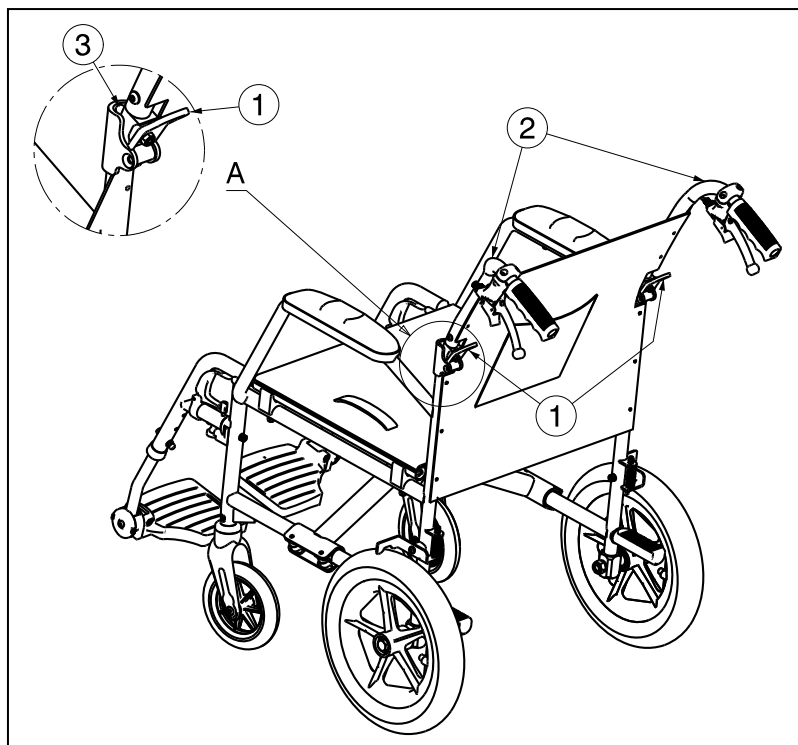
1. Należy przytrzymać podnóżek w poprzek po zewnętrznej stronie ramy wózka inwalidzkiego i przymocuj element ① do ramy.
2. Obróć podnóżek do wewnątrz, aż wskoczy na swoje miejsce.
3. Obrócić płytę podnóżka w dół.

Aby zdemontować podnóżki:

1. Pociągnij za uchwyt ②.
2. Obrócić podnóżek na zewnątrz wózka, aż uwolni się z ograniczników.
3. Wyciągnij rurkę podnóżka z ramy ①.

2.5 Składanie / Rozkładanie oparcie

- ⚠ **OSTRZEŻENIE:** Ryzyko urazu — należy upewnić się, że przed użyciem oparcie jest zablokowany.



Aby złożyć oparcie:

1. Pociągnij dźwignie ①, do momentu w którym sworzeń ③ wyjdzie z otworu.
2. Wyciągnij górne rurki oparcia ② dolne oparcie jest w pełni składane.

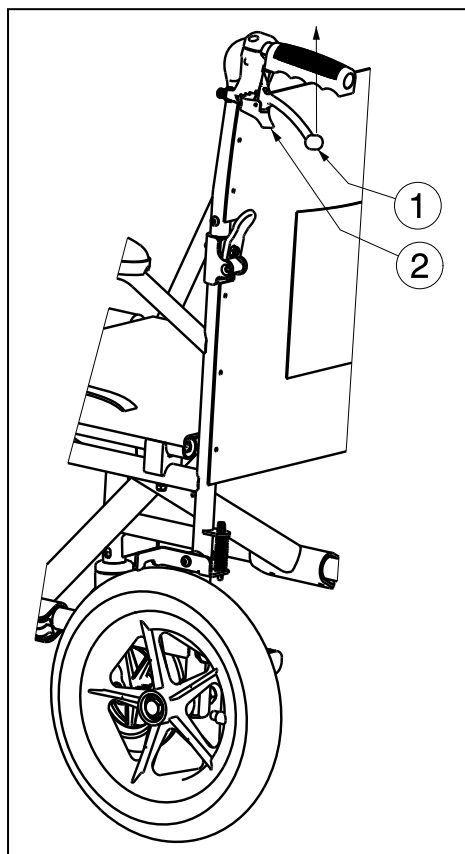
Aby rozłożyć oparcie:

1. Pociągnij rury oparcia do góry ② do momentu w którym oparcie jest prawidłowo zabezpieczone.
2. Sprawdź, czy oparcie jest odpowiednio zamocowane.

2.6 Obsługa hamulców

- ⚠ **OSTRZEŻENIE:** Hamulce nie służą do spowalniania wózka inwalidzkiego transportowego w trakcie ruchu – należy ich używać wyłącznie, aby nie dopuścić do niepożądanych ruchów wózka inwalidzkiego transportowego.
- ⚠ **OSTRZEŻENIE:** Prawidłowe działanie hamulców zależy od ich zużycia i zanieczyszczenia opon (woda, olej, błoto itp.) — Należy sprawdzić stan opon przed każdym użyciem.
- ⚠ **OSTRZEŻENIE:** Hamulce są regulowane i mogą ulec zużyciu – należy sprawdzać stan hamulców przed każdym użyciem.

Z hamulców tych może korzystać opiekun.



Włącz hamulec postojowy:

1. Pociągnij dźwignię hamulca ① do góry.
2. Pociągnij za dźwignię ② aby zablokować hamulce.

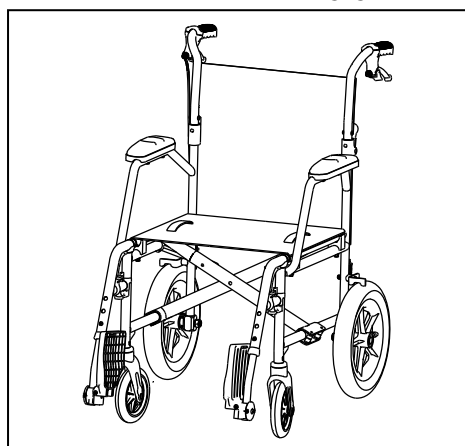
- ⚠ **PRZESTROGA:** Ryzyko niezamierzonego ruchu – przed zwolnieniem hamulców należy upewnić się, że wózek transportowy inwalidzki znajduje się na płaskiej, poziomej powierzchni.

Zwalnianie hamulca postojowego:

1. Zwolnij dźwignię hamulca ②.
2. Zwolnij rączkę hamulca ①.

2.7 Wsiadanie i zsiadanie z wózka inwalidzkiego transportowego

- ⚠ **PRZESTROGA:** Jeśli nie można samemu bezpiecznie usiąść na fotelu lub wstać z niego, należy poprosić kogoś o pomoc.
- ⚠ **PRZESTROGA:** Ryzyko przewrócenia wózka inwalidzkiego transportowego – nie wolno stawać na płycie podnóżka.



1. Ustaw wózek inwalidzki transportowy jak najbliżej krzesła, kanapy bądź łóżka, na które chcesz wysiąść.
2. Sprawdź oby dwa hamulce (hamulce postojowe) czy są aktywne.
3. Należy odchylić płyty podnóżka w górę, aby uniknąć stawania na nich.
4. Wsiądź na/zsiądź z wózka inwalidzkiego transportowego.

2.8 Prawidłowa pozycja w wózku inwalidzkim transportowym

Zalecenia dotyczące wygodnego korzystania z wózka inwalidzkiego transportowego :

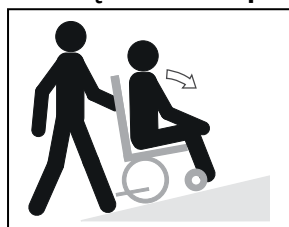
- Plecy powinny znajdować się możliwie najbliżej oparcia.
- Upewnij się, że uda ułożone są w poziomie — w razie potrzeby dostosuj długość podnóżków (patrz § 3.4).

2.9 Jazda na wózku inwalidzkim transportowym

- ⚠ **OSTRZEŻENIE:** Ryzyko przytrzaśnięcia — zachowaj ostrożność podczas przejazdu przez ograniczone przestrzenie (np. drzwi).
- ⚠ **OSTRZEŻENIE:** Ryzyko poparzenia — należy zachować ostrożność podczas prowadzenia wózka przy bardzo wysokich i niskich temperaturach, (na ostrym słońcu, mrozie, w saunie itp.) przez dłuższy czas i przy kontakcie ze skórą — powierzchnie mogą przyjmować temperaturę otoczenia.
- ⚠ **OSTRZEŻENIE:** Ryzyko urazu – Trzymaj swoje ręce i ramiona zawsze w obszarze wózka inwalidzkiego transportowego.
 1. Zwolnij hamulce.
 2. Opiekun powinien złapać za tylne rączki wózka.
 3. Następnie opiekun powinien pchać wózek w pożądanym przez siebie kierunku.

2.10 Poruszanie się po powierzchniach pochyłych

- ⚠ **OSTRZEŻENIE:** Ogranicz prędkość – na powierzchniach pochyłych poruszaj się jak najwolniej.
- ⚠ **OSTRZEŻENIE:** Weź pod uwagę możliwości opiekuna – jeśli nie dysponuje siłą pozwalającą kontrolować wózek inwalidzki transportowy, zaciągnij hamulce.
- ⚠ **OSTRZEŻENIE:** Ryzyko wywrócenia – pochyl się w przód, aby przesunąć środek ciężkości do przodu. Pozwoli to ustabilizować wózek.

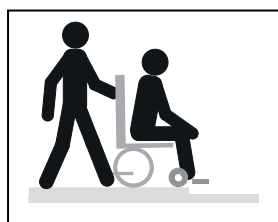


1. Zapnij pasy bezpieczeństwa, jeśli wózek inwalidzki transportowy jest w nie wyposażony.
2. Nie próbuj poruszać się po zbyt dużych pochyłościach. Maksymalne kąty nachylenia (podczas jazdy pod górę i w dół) przedstawiono w tabeli 1.
3. Opiekun powinien cię pchać pod mocno nachylone powierzchnie.
4. Pochyl się w przód, aby przesunąć środek ciężkości do przodu.

2.11 Pokonywanie progów lub krawężników

2.11.1 Zjeżdżanie z progów lub krawężników

Z niskiego krawężnika można zjechać, poruszając się w przód. Upewnij się, że płyty podnóżków nie dotykają ziemi.



1. Poproś opiekuna, aby nieznacznie odchylił wózek inwalidzki transportowy do tyłu.
2. Pokonuj krawężniki, poruszając się na tylnych kołach.
3. Ponownie oprzyj wózek inwalidzki transportowy na wszystkich czterech kołach.

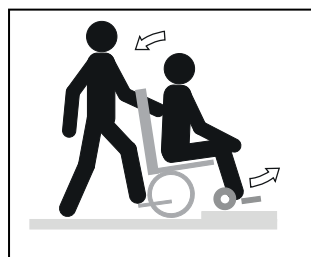


Pokonywanie wysokich krawężników.

1. Obróć wózek inwalidzki transportowy, zwracając go tylnymi kołami w stronę krawężnika.
2. Pochyl się w przód, aby przesunąć środek ciężkości do przodu.
3. Zbliź wózek inwalidzki transportowy do krawędzi krawężnika.
4. Opiekun powinien delikatnie wciągnąć cię po krawężniku na chodnik.

2.11.2 Wjeżdżanie na progi lub krawężniki

Aby wjechać na próg lub krawężnik z pomocą opiekuna:



1. Nie dopuść, aby płyty podnóżków dotknęły krawężnika.
2. Poproś opiekuna o odchylenie wózka inwalidzkiego transportowego do tyłu na tyle, aby unieść przednie koła nad krawężnik.
3. Odchyl się do tyłu, przenosząc środek ciężkości nad tylne koła.
4. Wjedź przednimi kołami na krawężnik.
5. Przejeźdź tylnymi kołami przez krawężnik.

Wyższe krawężniki można pokonać, jadąc do tyłu:

1. Obróć wózek inwalidzki transportowy, zwracając go tylnymi kołami w stronę krawężnika.
2. Odchyl się w tył, przenosząc środek ciężkości nad tylne koła.
3. Poproś opiekuna o wciągnięcie wózka inwalidzkiego transportowego na krawężnik.
4. Powróć do normalnej pozycji w wózku inwalidzkim transportowym.

2.11.3 Pokonywanie schodów

Nigdy nie korzystaj z ruchomych schodów.

Schody można pokonywać na wózku inwalidzkim transportowym przestrzegając następujących zasad:

⚠ OSTRZEŻENIE: Ryzyko wywrócenia – zawsze pokonuj schody z pomocą 2 opiekunów.

1. Wymontuj podnóżki.
2. Jeden z opiekunów musi nieznacznie odchylić wózek inwalidzki transportowy w tył.
3. Drugi opiekun chwyta za przód ramy wózka.
4. Zachowaj spokój, unikaj nagłych ruchów i trzymaj ręce wewnątrz wózka inwalidzkiego transportowego.
5. Pokonuj schody na tylnych kołach wózka inwalidzkiego transportowego.
6. Po pokonaniu schodów ponownie zamontuj podnóżki.

2.12 Transport w samochodzie

- ⚠ NIEBEZPIECZEŃSTWO: Ryzyko zranienia- Nie należy przewozić osób siedzących w wózku inwalidzkim transportowym podczas jazdy samochodem.**
- ⚠ OSTRZEŻENIE: Ryzyko urazu — należy upewnić się, że wózek inwalidzki transportowy jest prawidłowo umocowany. Pozwoli to zapobiec urazom pasażerów podczas kolizji lub gwałtownego hamowania.**
- ⚠ OSTRZEŻENIE: Ryzyko urazu — NIGDY nie należy używać jednego pasa bezpieczeństwa do zabezpieczenia pasażera i wózka inwalidzkiego transportowego.**

Nigdy nie należy używać wózka inwalidzkiego transportowego jako fotela w samochodach i innych pojazdach zmechanizowanych. Wózek inwalidzki transportowy powinien być oznaczony następującym symbolem.



Aby przewieźć wózek inwalidzki transportowy w samochodzie, należy wykonać następujące czynności:

1. Wymontuj podnóżki i akcesoria.
2. Umieść podnóżki i akcesoria w bezpiecznym miejscu.
3. Złóż wózek inwalidzki transportowy.
4. Umieść wózek inwalidzki transportowy w bagażniku.
5. Jeśli wózek NIE znajduje się w przedziale bagażowym oddzielonym od kabiny pasażerów, dokładnie umocuj ramę wózka inwalidzkiego transportowego do pojazdu. Możesz skorzystać z nieużywanych pasów bezpieczeństwa.

3 Montaż i regulacja

Instrukcje zawarte w niniejszym rozdziale są przeznaczone dla wyspecjalizowanego sprzedawcy.

Wózek inwalidzki transportowy „Bobby” firmy Vermeiren został specjalnie zaprojektowany do krótkich podróży oraz do łatwego przemieszczania się osób z niewłaadnością.

Aby uzyskać informację o odpowiednim punkcie serwisowym lub wyspecjalizowanym sprzedawcy, należy skontaktować się z najbliższym przedstawicielem firmy Vermeiren. Wykaz przedstawicieli firmy Vermeiren podano na ostatniej stronie.

- ⚠ **OSTRZEŻENIE: Ryzyko niebezpiecznych ustawień — należy używać wyłącznie ustawień opisanych w tej instrukcji obsługi.**
- ⚠ **OSTRZEŻENIE: Modyfikacja dopuszczalnego stopnia regulacji ramy może prowadzić do zmiany stabilności wózka inwalidzkiego transportowego (może powodować przechylenie w tył lub na bok).**

3.1 Narzędzia

Do montażu wózka inwalidzkiego transportowego wymagane są następujące narzędzia.

- Zestaw kluczy nr 10
- klucz imbusowy nr 4.

3.2 Sposób dostawy

Bobby firmy Vermeiren zawiera:

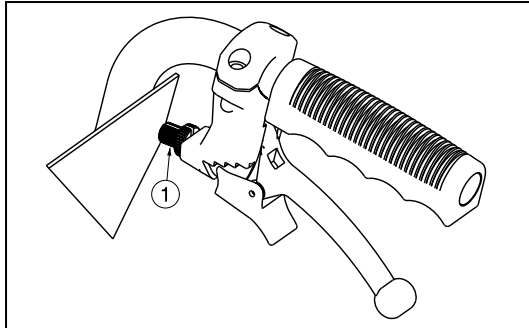
- 1 ramę z podłokietnikami, przednie i tylne koła
- 1 parę podnóżków
- uchwyty + dźwignia hamulca
- poduszkę oparcia i siedzenia;
- Narzędzia
- Instrukcja obsługi
- Akcesoria (opcjonalnie);

Przed użyciem należy się upewnić, że produkt zawiera wszystkie elementy oraz że żaden z elementów nie uległ uszkodzeniu (np. podczas transportu).

3.3 Regulacja hamulców

⚠ OSTRZEŻENIE: Ryzyko urazu – regulacji hamulców może dokonywać wyłącznie wyspecjalizowany sprzedawca.

Aby wyregulować hamulce:



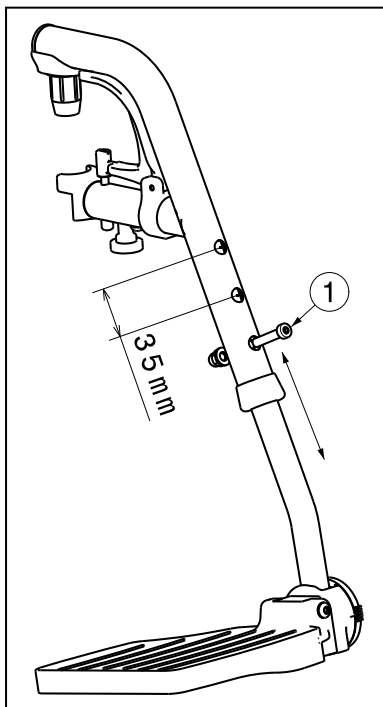
1. Obkręć element ① aby wyregulować napięcie hamulców.
2. Sprawdź pracę hamulców.
3. W razie potrzeby obkręć element regulacji napięcia ponownie ① do momentu w którym hamulce będą działać poprawnie.

PL

3.4 Regulacja podnóżka

3.4.1 Długość podnóżka

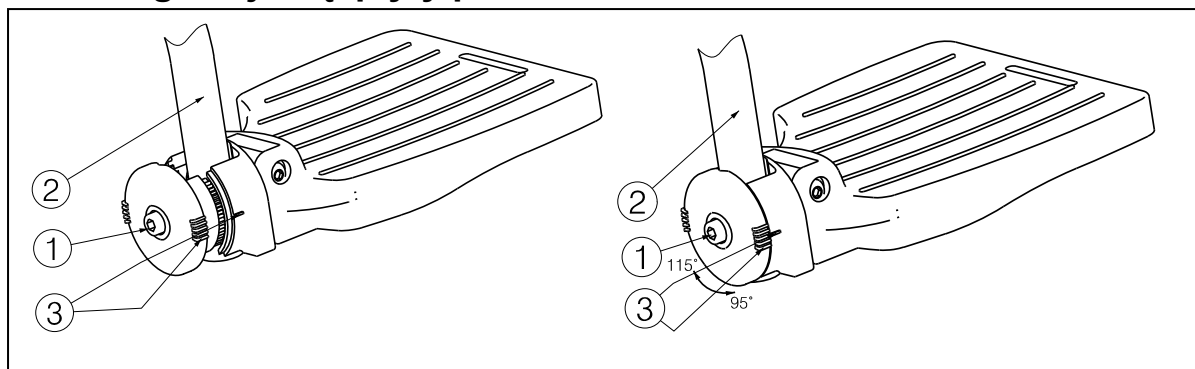
⚠ PRZESTROGA: Ryzyko uszkodzenia – należy unikać kontaktu płytą podnóżka z podłożem. Zachowaj minimalny odstęp 60 mm od podłoża.



Ustaw długość podnóżka zgodnie z poniższą instrukcją (3 możliwe położenia: skokowo co 35 mm → otwory na zewnątrz rury, 6 możliwych położzeń: skokowo co 25 mm → wewnętrzna część rury):

1. Wykręć śrubę ①.
2. Ustaw wygodną długość podnóżka.
3. Odpowiednio dokręć śrubę ①.

3.4.2 Regulacja kąta płyty podnóżków



Aby wyregulować kąt nachylenia płyty podnóżków:

1. Poluzuj śrubę ①.
2. Ustaw rurkę ② pod żądanym kątem. Kąt nachylenia (95°-100°-105°-110°-115°) jest wskazywany przez listki ③.
3. Dokręć śrubę ①.

4 Konserwacja

Instrukcje dotyczące konserwacji wózek inwalidzki transportowy znajdziesz na stronie internetowej firmy Vermeiren: www.vermeiren.pl.

ITALIANO

GARANZIA CONTRATTUALE

La carrozzine manuali sono garantite 5 anni, la carrozzine ultra leggera 4 anni. Le carrozzine elettroniche, tricicli, letti e altri prodotti: 2 anno contro tutti i difetti di costruzione o di materiale (batterie 6 mesi). Multiposizioni 3 anni. Questa garanzia e' limitata alle sostituzione di parti riconosciute difettose.

CONDIZIONI

Per far valere la garanzia, e' necessario indirizzarla al vostro distributore di fiducia che presentera' al produttore il tagliando.

RISERVE

Questa garanzia non potra' essere applicata nei seguenti casi:

- danno dovuto al cattivo ed improprio utilizzo della carrozzina,
- danno subito durante il trasporto,
- incidente o caduta,
- smontaggio, modifica, o riparazione effettuate in proprio,
- usura abituale della carrozzina,
- invio del tagliando di garanzia con la data di acquisto.



VERMEIREN



**GARANTÍA
GARANTIE
WARRANTY
GARANTIE
GARANZIA**

N.V. VERMEIREN N.V. Tel.: 00 32 (0)3 620 20 20
VERMEIRENPLEIN 1-15 Fax: 00 32 (0)3 666 48 94
B-2920 Kalmthout www.vermeiren.com

B

Naam/Nom/Name
Name/Nome

Adres/ Adresse/Address
Adresse/Indirizzo

Woonplaats/Domicile/Home
Wohnort/Citta

E-mail

Artikel/Article/Article
Artikel/Articolo

Reeks nr./N° de série/Serie nr.
Serien-Nr./No. di serie

Aankoopdatum/Date d'achat/Date of purchase
Kaufdatum/Data di acquisto

Stempel verkoper/Timbre du vendeur
Dealer stamp/Händlerstempel
Timbro del rivenditore

A

Nombre/Nom/Name
Name/Nome

Dirección/Adresse/Address
Adresse/Indirizzo

Ciudad/Domicile/Home
Wohnort/Citta

E-mail

Artículo/Article/Article
Artikel/Articolo

Núm. de serie/N° de série/Serie nr.
Serien-Nr./No. di serie

Fecha de adquisición/Date d'achat/Date of purchase
Kaufdatum/Data di acquisto

Sello del distribuidor /Timbre du vendeur
Dealer stamp/Händlerstempel
Timbro del rivenditore

CONTRATO DE GARANTÍA

Garantía de 5 años para sillas de ruedas estándar. Garantía de 4 años para las sillas de ruedas ligeras. Garantía de 2 años para las sillas de ruedas eléctricas, triciclos, camisas y otros productos. (las baterías tienen una garantía de 6 meses). Garantía de 3 años para las sillas de ruedas multi-posición. Esta garantía se limita a la sustitución de las piezas defectuosas o recambios.

CONDICIONES DE APLICACIÓN

Para reclamar esta garantía, debe de entregar a su distribuidor oficial de Vermeiren el apartado "B" de esta tarjeta. La garantía sólo es válida cuando las piezas son sustituidas por Vermeiren Bélgica.

EXCEPCIONES

Esta garantía no es válida en caso de:

- Daños debidos a un uso incorrecto de la silla de ruedas.
- Daños durante el transporte.
- Involucración en un accidente.
- Desmontaje, modificación o reparación que no haya sido realizada por nuestra compañía y / o distribuidor oficial de Vermeiren.
- Desgaste normal de la silla de ruedas.
- Que no se entregue la tarjeta de garantía

GARANTIE CONTRACTUELLE

Les fauteuils manuels standard sont garantis 5 ans, les fauteuils ultra légers 4 ans. Les fauteuils électroniques, tricyclos, lits et d'autres produits: 2 ans contre tous vices de construction ou de matériaux (batteries 6 mois).

Cette garantie est expressément limitée au remplacement des éléments ou pièces détachées reconnues défectueuses.

CONDITIONS D'APPLICATION

Pour prétendre à cette garantie, il faut présenter le certificat de garantie que vous avez conservé à votre distributeur Vermeiren. La garantie est uniquement valable au siège de la société.

RESERVES

Cette garantie ne pourra être appliquée en cas de:

- dommage dû à la mauvaise utilisation du fauteuil,
- endommagement pendant le transport,
- accident ou chute,
- démontage, modification ou réparation fait en dehors de notre société,
- usure normale du fauteuil,
- non retour du coupon de garantie.

CONTRACTUAL WARRANTY

We offer 5 years of warranty on standard wheelchairs, lightweight wheelchairs 4 years. Electronic wheelchairs, tricycles, beds and other products: 2 years (batteries 6 months) and multipoosition wheelchairs 3 years. This warranty is limited to the replacement of defective or spare parts.

APPLICATION CONDITIONS

In order to claim its warranty, part "B" of this card has to be given to your official Vermeiren dealer. The warranty is only valid when parts are replaced by Vermeiren in Belgium.

EXCEPTIONS

This warranty is not valid in case of:

- damage due to incorrect usage of the wheelchair,
- damage during transport,
- involvement in an accident,
- a dismount, modification or repair carried outside of our company and/or official Vermeiren dealership,
- normal wear of the wheelchair,
- non-return of the warranty card

GARANTIEERKLÄRUNG

Wir garantieren, dass für unsere Rollstühle hochwertige Produkte verwendet werden, die in sorgfältiger Verarbeitung nach dem neuesten Stand der Technik montiert werden. Bevor Ihr Rollstuhl unser Werk verlassen hat, wurde er einer eingehenden Endkontrolle unterzogen, um auch letzte, eventuell vorhandene Mängel aufzuspüren.

Auf Standardrollstühle gewähren wir eine Garantie von 5 Jahren, auf Leichtgewichtrollstühle 4 Jahre, auf elektronische Rollstühle, Dreiräder, Betten und andere Produkte: 2 Jahre (Batterien 6 Monate), auf Multifunktionsrollstühle 3 Jahre.

In dieser Garantie eingeschlossen sind alle Mängel, die auf einen Produkt- oder Verarbeitungsfehler zurückzuführen sind. Dieser Garantie unterliegen keine Schäden aus unsachgemäßer Benutzung. Ebenfalls sind Verschleißteile von der Garantie ausgenommen.

Sollte einmal der Fall eingetreten sein, dass Sie aus berechtigtem Grunde mit Ihrem Rollstuhl unzufrieden sind, so wenden Sie sich bitte unverzüglich an Ihren Fachhändler. Er wird sich in enger Zusammenarbeit mit uns darum bemühen, eine für Sie zufriedenstellende Lösung zu finden.

A

- Por favor entéguelo en el plazo de 8 días a partir de la fecha de compra o registre su producto en nuestra página web, <http://www.vermeiren.be/registration>
- à renvoyer dans les 8 jours après achat ou régistrez votre produit sur notre site, <http://www.vermeiren.be/registration>
- please return within 8 days of date of purchase or register your product at our website, <http://www.vermeiren.be/registration>
- zurückschicken innerhalb von 8 Tagen nach kauf oder registrieren Sie Ihr Produkt auf unserer website, <http://www.vermeiren.be/registration>
- da restituire entro 8 giorni dalla data di acquisto o registri il vostro prodotto al nostro web site, <http://www.vermeiren.be/registration>

B

- en caso de reparación, por favor, añada el apartado "B".
- en cas de réparation, veuillez ajouter la carte "B".
- in case of repair, please add part "B".
- im Falle einer Reparatur, Karte "B" beifügen
- in case di riparazione, rispediteci la carta "B".

N.V. VERMEIREN N.V.
Vermeirenplein 1/15
B-2920 Kalmarhout
BELGIUM





SERVICE

The transferchair was serviced:
Le fauteuil de transfert a été contrôlé:
De transferstoel is gecontroleerd:

Das Transportrollstühle wurde überprüft:
Il carrozzina da trasferimento è stata ispezionata:
La silla de transferencia ha sido revisada por:
Z wózek inwalidzki transportowy był
serwisowany:

Dealer's stamp • Cachet du revendeur • Stempel van de handelaar
Händlerstempel • Timbro del rivenditore • Sello del distribuidor •
Dealerzy pieczęć:

Date • Datum • Data • Fecha:

Dealer's stamp • Cachet du revendeur • Stempel van de handelaar
Händlerstempel • Timbro del rivenditore • Sello del distribuidor •
Dealerzy pieczęć:

Date • Datum • Data • Fecha:

Dealer's stamp • Cachet du revendeur • Stempel van de handelaar
Händlerstempel • Timbro del rivenditore • Sello del distribuidor •
Dealerzy pieczęć:

Date • Datum • Data • Fecha:

Dealer's stamp • Cachet du revendeur • Stempel van de handelaar
Händlerstempel • Timbro del rivenditore • Sello del distribuidor •
Dealerzy pieczęć:

Date • Datum • Data • Fecha:

Dealer's stamp • Cachet du revendeur • Stempel van de handelaar
Händlerstempel • Timbro del rivenditore • Sello del distribuidor •
Dealerzy pieczęć:

Date • Datum • Data • Fecha:

Dealer's stamp • Cachet du revendeur • Stempel van de handelaar
Händlerstempel • Timbro del rivenditore • Sello del distribuidor •
Dealerzy pieczęć:

Date • Datum • Data • Fecha:

Dealer's stamp • Cachet du revendeur • Stempel van de handelaar
Händlerstempel • Timbro del rivenditore • Sello del distribuidor •
Dealerzy pieczęć:

Date • Datum • Data • Fecha:

Dealer's stamp • Cachet du revendeur • Stempel van de handelaar
Händlerstempel • Timbro del rivenditore • Sello del distribuidor •
Dealerzy pieczęć:

Date • Datum • Data • Fecha:

Dealer's stamp • Cachet du revendeur • Stempel van de handelaar
Händlerstempel • Timbro del rivenditore • Sello del distribuidor •
Dealerzy pieczęć:

Date • Datum • Data • Fecha:

Dealer's stamp • Cachet du revendeur • Stempel van de handelaar
Händlerstempel • Timbro del rivenditore • Sello del distribuidor •
Dealerzy pieczęć:

Date • Datum • Data • Fecha:

- For service checklists an additional technical information, please see our specialist dealers nearest to you. More information on our website at: www.vermeiren.com.
- Les listes des contrôles à effectuer lors des entretiens de même que toute autre information technique sont disponibles auprès de nos filiales. Pour de plus amples informations, consultez le site: www.vermeiren.fr.
- Servicelijsten en andere technische informatie kunt u aanvragen bij onze vestigingen. Meer informatie vindt u ook op: www.vermeiren.be.
- Servicechecklisten und weitere technische Informationen erhalten Sie über unsere Niederlassungen. Informationen unter: www.vermeiren.de, www.vermeiren.at, www.vermeiren.ch.
- Gli elenchi di controllo di manutenzione e ulteriori informazioni tecniche sono disponibili presso le nostre filiali. Per informazioni consultare il sito: www.vermeiren.com.
- Para un servicio de revisión o información técnica adicional, por favor, consulte a nuestros distribuidores especialistas más cercanos. Más información en nuestra página web: www.vermeiren.com.
- Po dodatkowe informacje techniczne oraz listę części zamiennych proszę się kontaktować z naszym wyspecjalizowanymi dystrybutorami w pobliżu miejsca zamieszkania. Więcej informacji na naszej stronie www.vermeiren.pl.

Belgium

N.V. Vermeiren N.V.

Vermeirenplein 1 / 15
B-2920 Kalmthout
Tel: +32(0)3 620 20 20
Fax: +32(0)3 666 48 94
website: www.vermeiren.be
e-mail: info@vermeiren.be

France

Vermeiren France S.A.

Z. I., 5, Rue d'Ennevelin
F-59710 Avelin
Tel: +33(0)3 28 55 07 98
Fax: +33(0)3 20 90 28 89
website: www.vermeiren.fr
e-mail: info@vermeiren.fr

Italy

Vermeiren Italia

Viale delle Industrie 5
I-20020 Arese MI
Tel: +39 02 99 77 07
Fax: +39 02 93 58 56 17
website: www.reatime.it
e-mail: info@reatime.it

Poland

Vermeiren Polska Sp. z o.o

ul. Łączna 1
PL-55-100 Trzebnica
Tel: +48(0)71 387 42 00
Fax: +48(0)71 387 05 74
website: www.vermeiren.pl
e-mail: info@vermeiren.pl

Czech Republic

Vermeiren ČR S.R.O.

Nadrazni 132
702 00 Ostrava 1
Tel: +420 596 133 923
Fax: +420 596 133 277
website: www.vermeiren.cz
e-mail: info@vermeiren.cz

Germany

Vermeiren Deutschland GmbH

Wahlerstraße 12 a
D-40472 Düsseldorf
Tel: +49(0)211 94 27 90
Fax: +49(0)211 65 36 00
website: www.vermeiren.de
e-mail: info@vermeiren.de

Austria

L. Vermeiren Ges. mbH

Winetzhammerstraße 10
A-4030 Linz
Tel: +43(0)732 37 13 66
Fax: +43(0)732 37 13 69
website: www.vermeiren.at
e-mail: info@vermeiren.at

Switzerland

Vermeiren Suisse S.A.

Hühnerhubelstraße 59
CH-3123 Belp
Tel: +41(0)31 818 40 95
Fax: +41(0)31 818 40 98
website: www.vermeiren.ch
e-mail: info@vermeiren.ch

Spain / Portugal

Vermeiren Iberica, S.L.

Carratera de Cartellà, Km 0,5
Sant Gregori Parc Industrial Edifici A
17150 Sant Gregori (Girona)
Tel: +34 972 42 84 33
Fax: +34 972 40 50 54
website: www.vermeiren.es
e-mail: info@vermeiren.es